

Tools Required



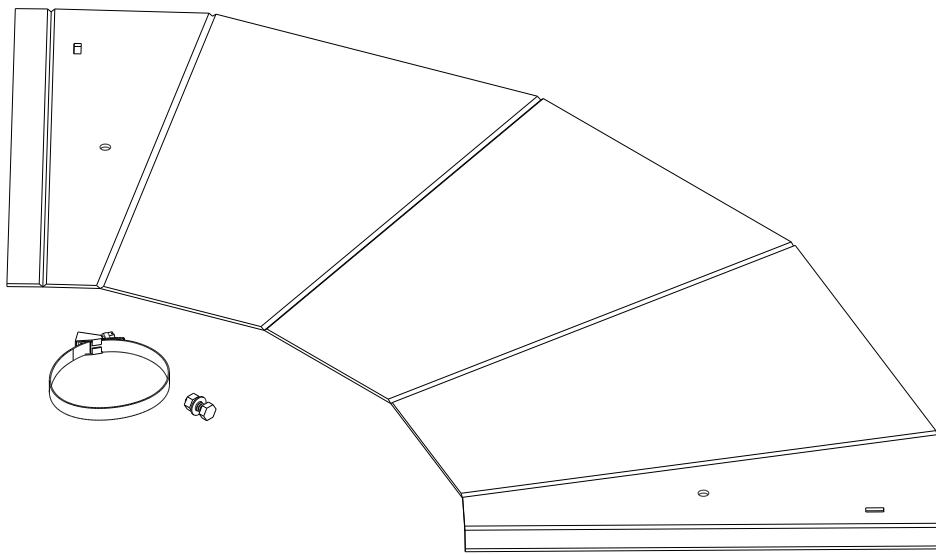
MARKER CONE

Assembling & Mounting

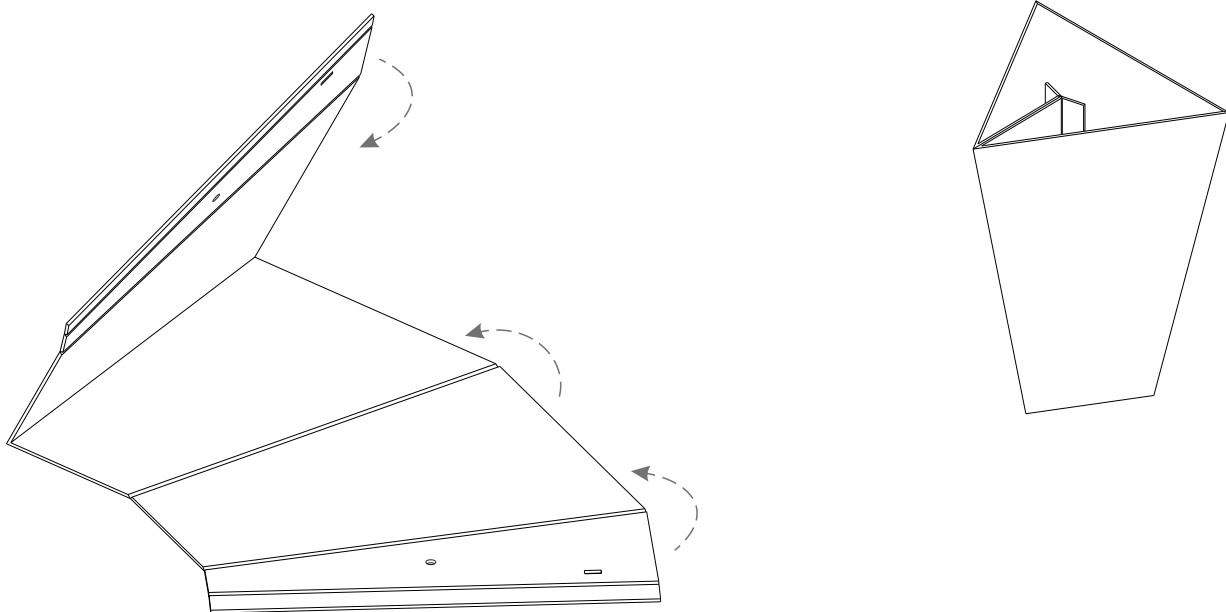
3 designs available to suit 76mm, 89mm and 114mm Posts

Composite Version

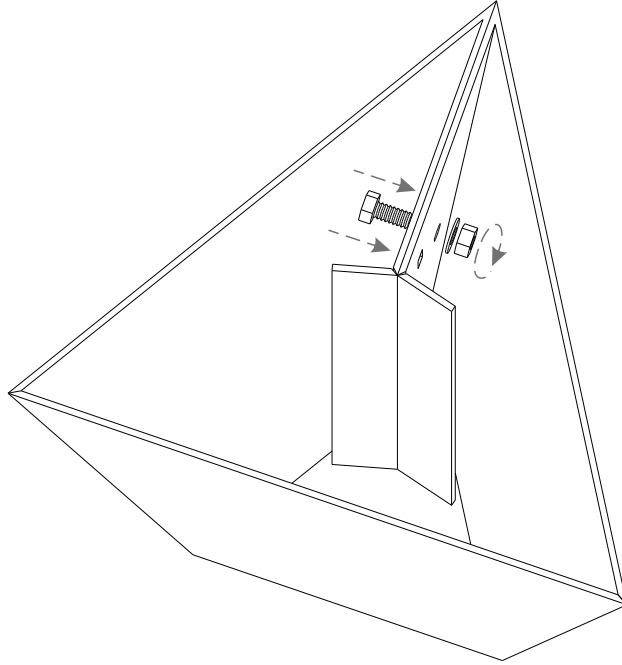
1. Firstly you will start with a the composite panel with grooves applied, one M8 Bolt and nut and a screwband



2. Fold the Composite panel up as drawing below via the grooves.



3. Using the circular hole fix the sections together using M8 Bolt and Nut



4. Mount the Marker Cone to the Post by passing the Screw Band through the rectangular holes. Then tighten the screwband with a spanner.

