

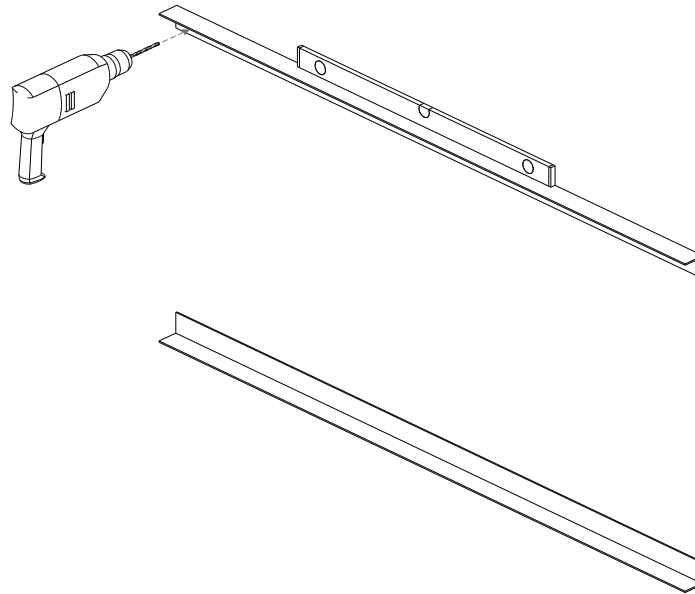
Tools Required



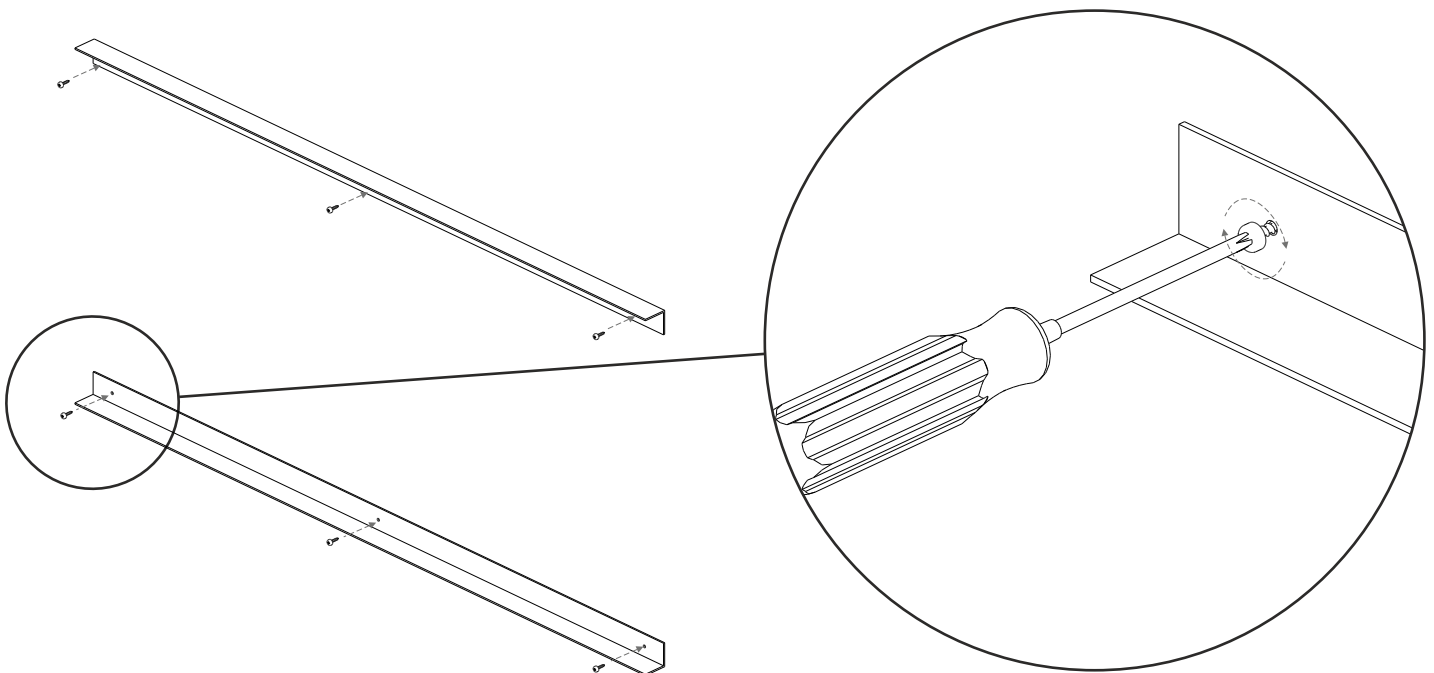
TRAY WALL MOUNTED WITH SCREWS

Assembling & Mounting

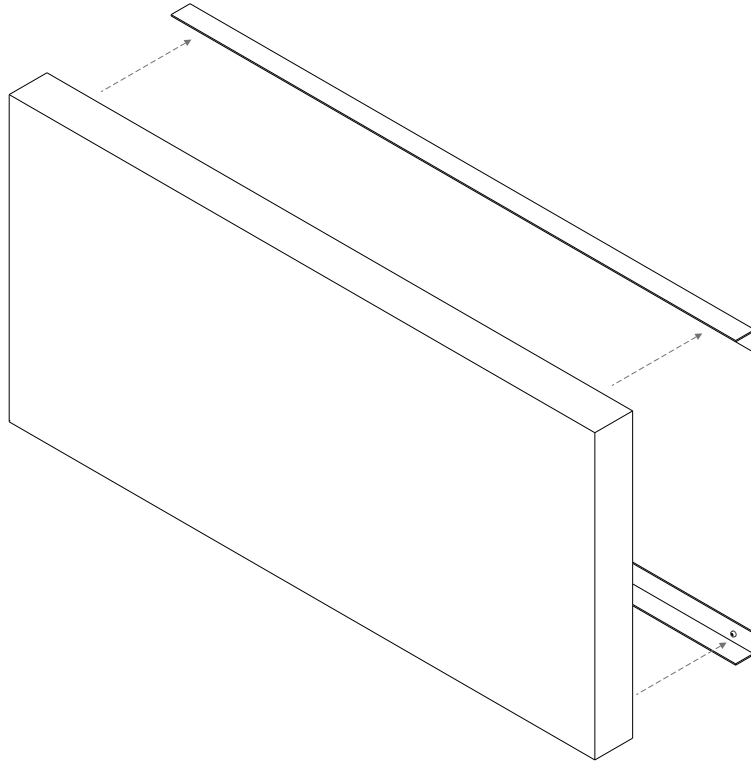
1. Place the angle to hold the tray on the wall. Position so it would sit inside the top and bottom return of the tray using a measuring tape, then Drill through the angle into the wall. (use wall plugs if required)



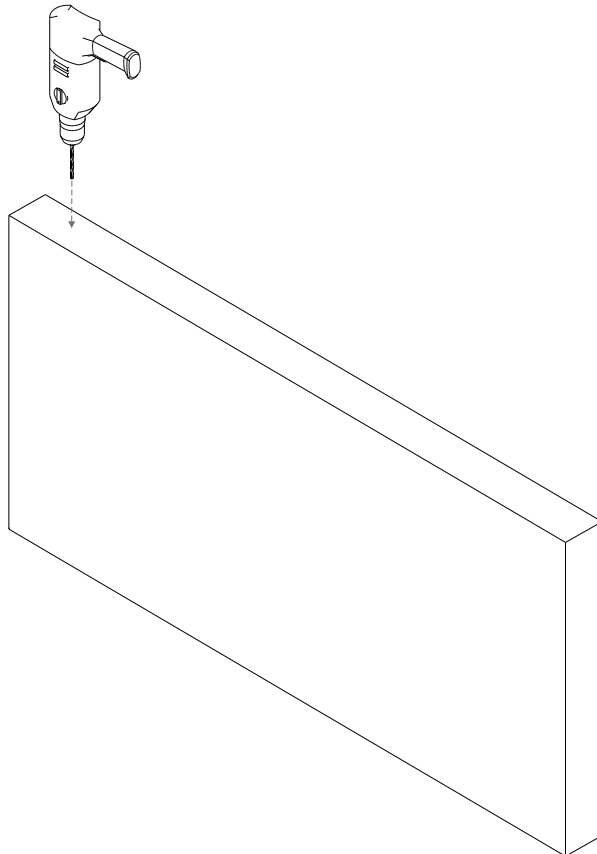
2. Screw the angle to the wall with screws to secure in place



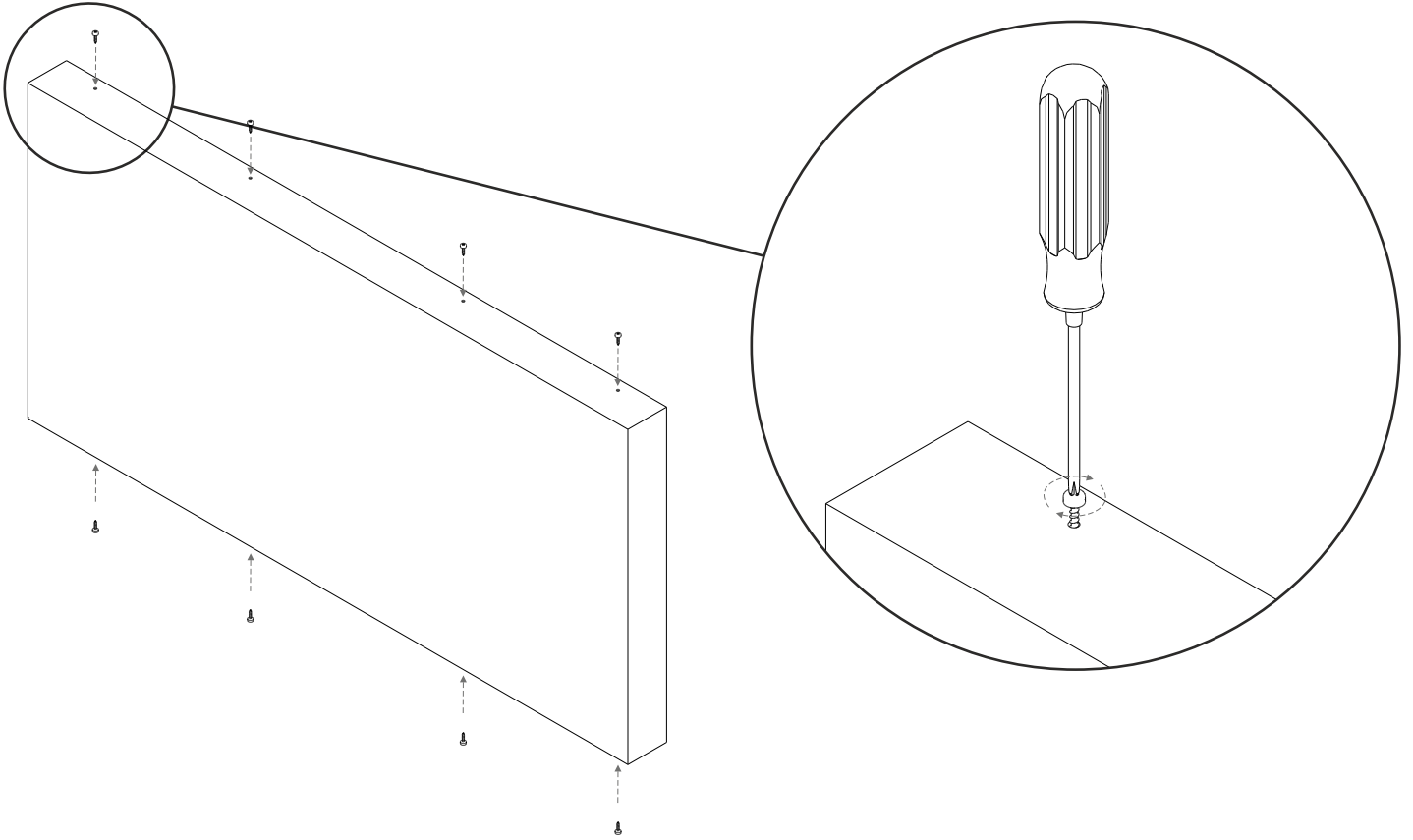
3. Place Sign tray over the angle.



4. Drill through the returns of the tray and angle top and bottom.



5. Fix the tray in place with screw top and bottom.



6. The tray is now completely fitted.

