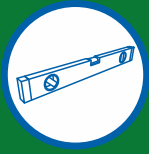


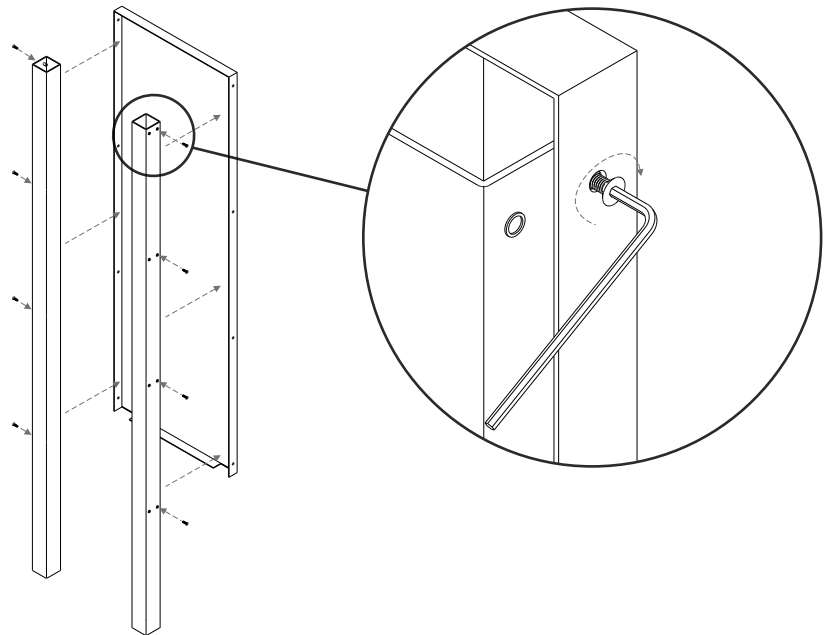
### Tools Required



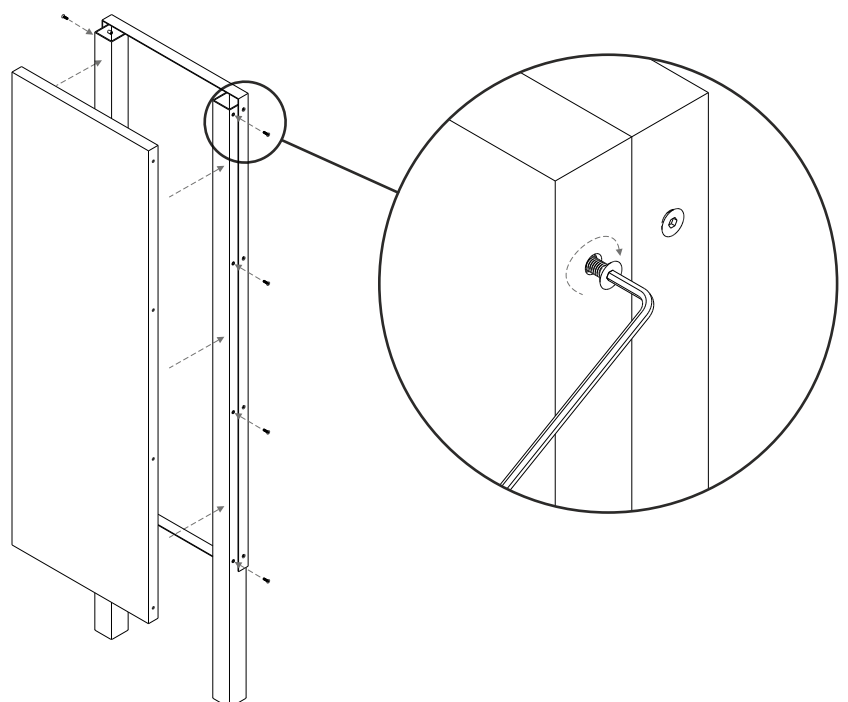
# STANDARD TOTEM SIGN

## Assembling & Mounting

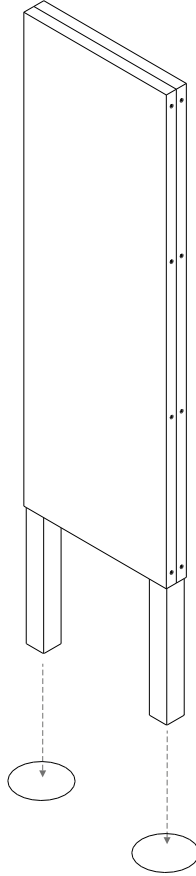
1. Place the Posts inside either side of the Tray (Nut inserts match up with Holes in the tray)  
Use the M6 Countersunk bolts connect the Posts to the Tray ( Allen key is required to tighten bolts ) .



2. Slot the other tray into place and connect using the M6 Countersunk bolts into the Nut inserts in the internal posts.



3. Dig holes and mount your posts in position required for your signage. (Please see website for further instructions).



4. Your Totem Sign is complete.

