

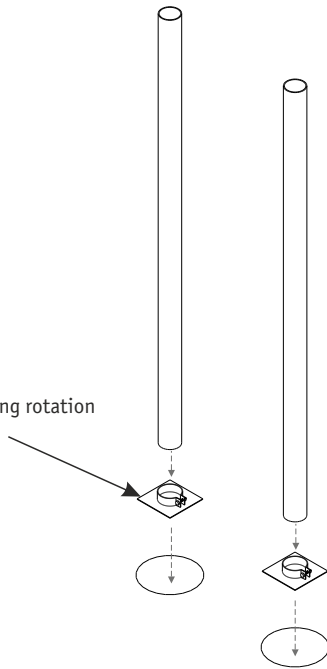
Tools Required



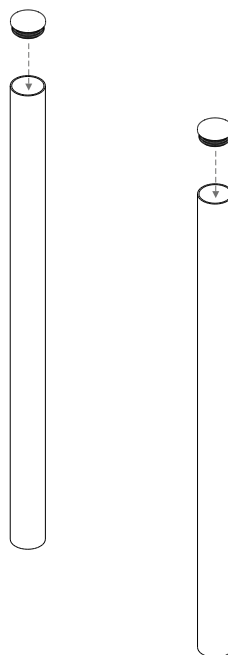
POST MOUNTED PANEL (DOUBLE SIDED) Assembling & Mounting

1. Dig holes and mount your posts in position required for your signage. (Please see website for further instructions)

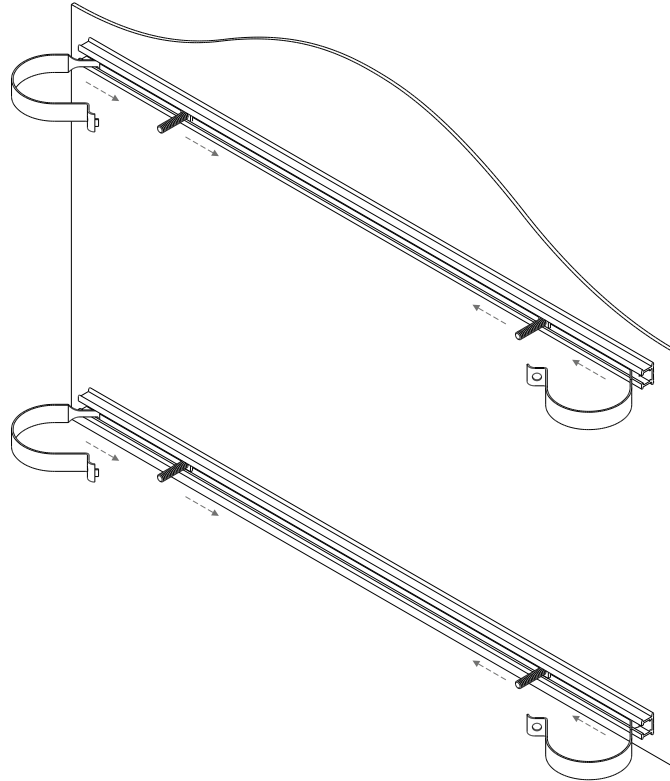
Steel Baseplates Recommended for stopping rotation when using round posts



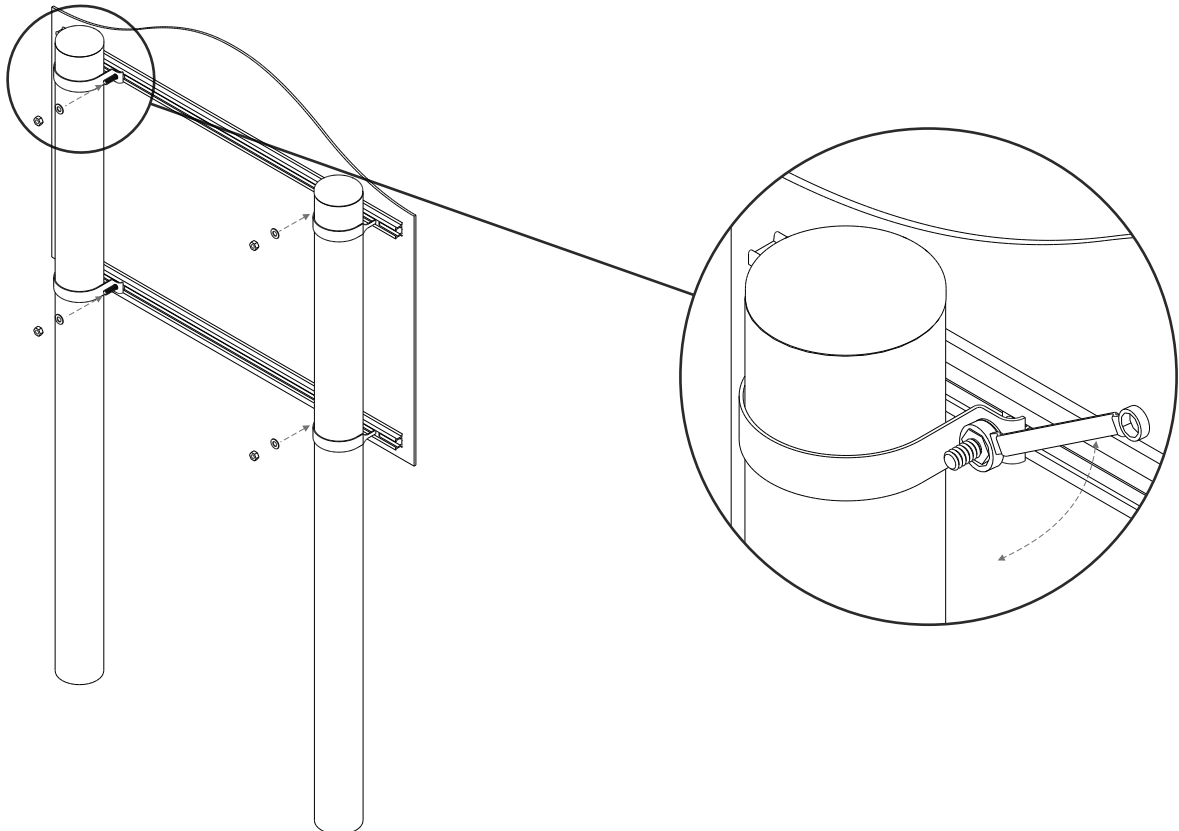
2. Place Your Caps or Finials to the top of your posts.



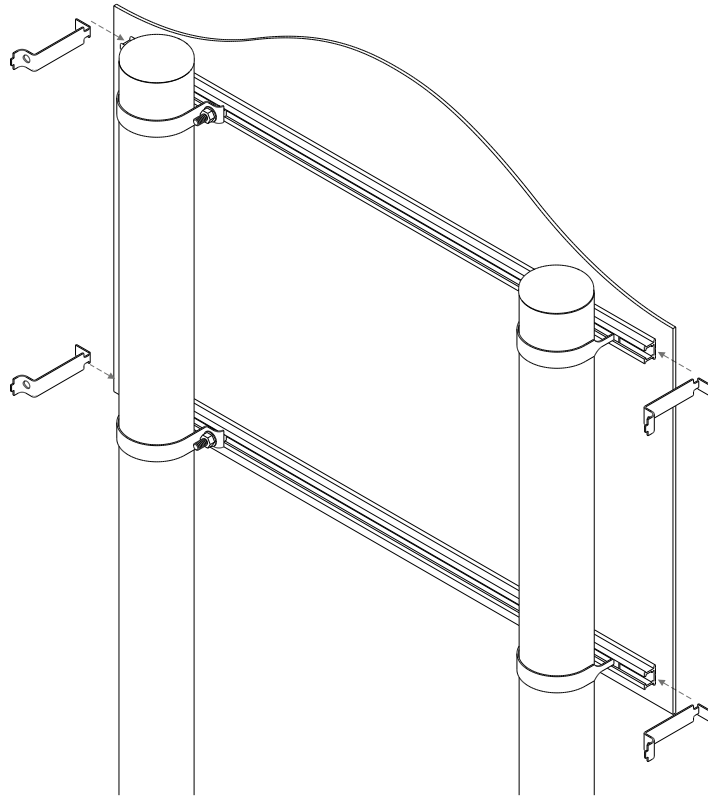
3. Slide the Square head bolts and the post clip into the channel rail the front sign (Sign 1)



4. Place the Sign Panel with channel (Sign 1) against the posts and place the clips around the posts then connect it to the bolt. Then use the spacer and nut to tighten the sign in position.



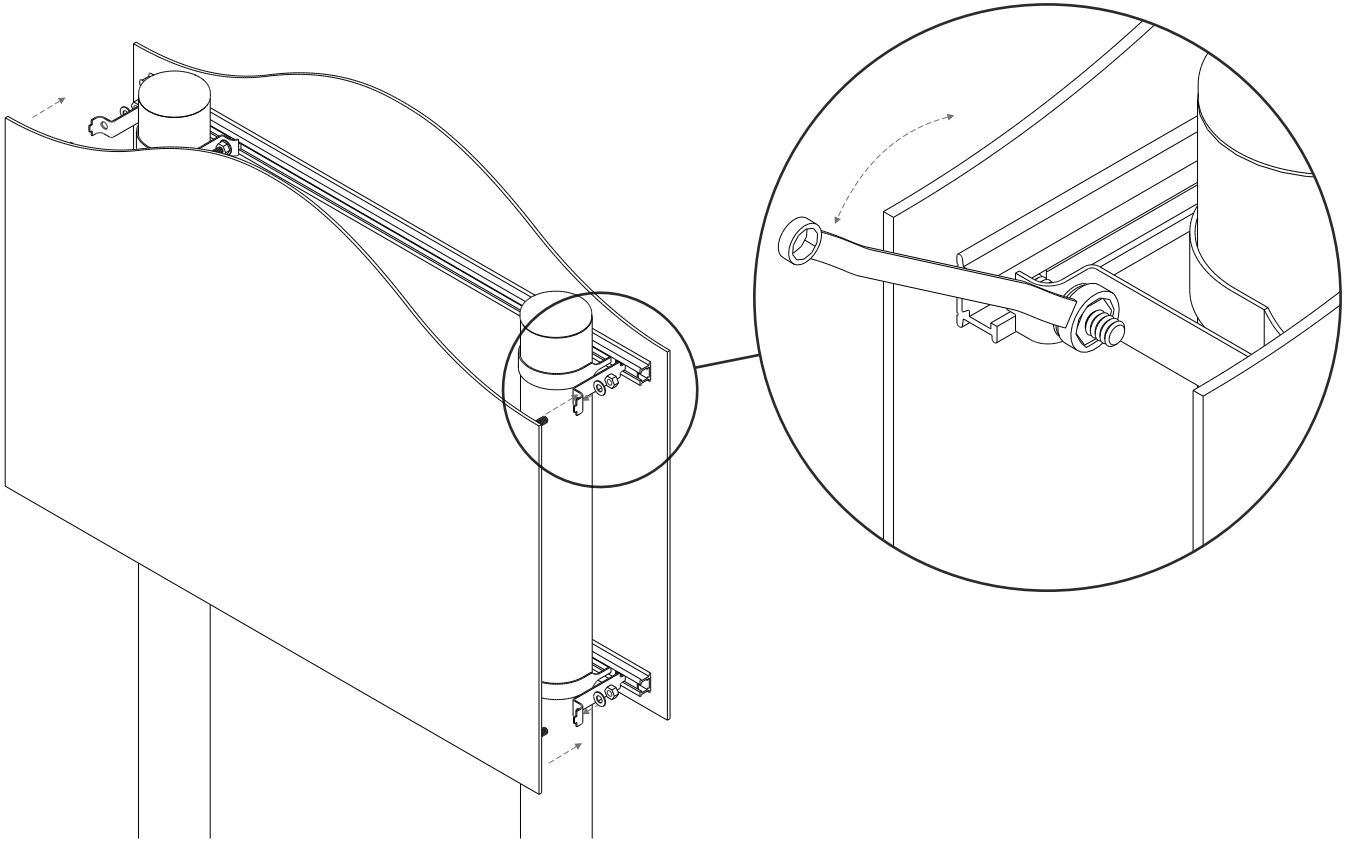
5. Slide the Back to Back Clips into the channel rail of the front sign (sign 1)



6. Slide the square head bolts into the channel railing of the back sign (sign 2)



7. Put the Back Sign panel (Sign 2) in place and insert bolts through the Back to Back clips. Then tighten in place using the nuts and bolts



8. Your Double Sided Post Mounted Signage is now complete.

