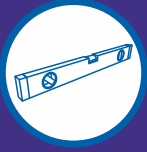


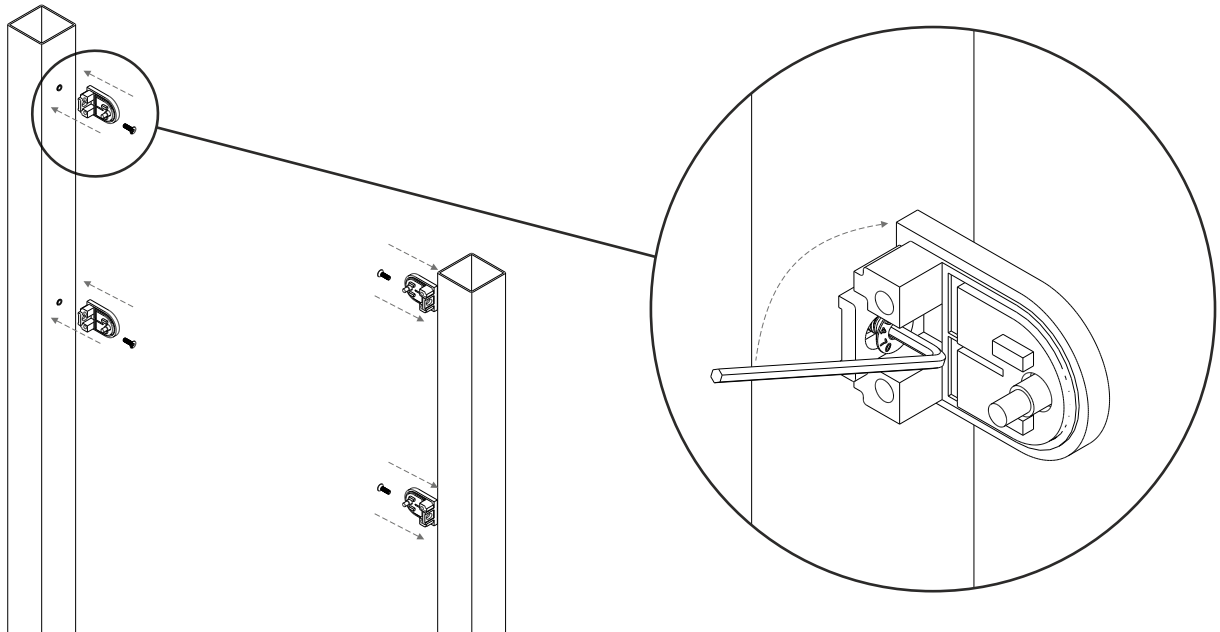
Tools Required



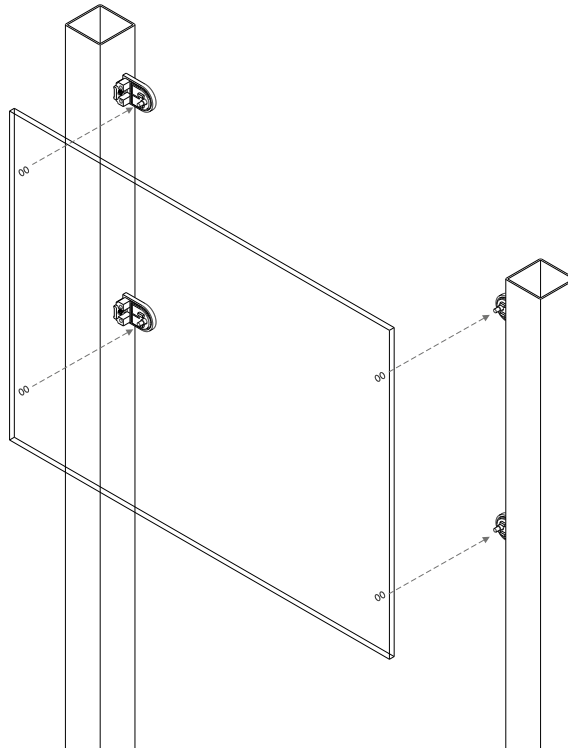
POST MOUNTED GLASS EFFECT PANEL WITH GLASS CLAMPS

Assembling & Mounting

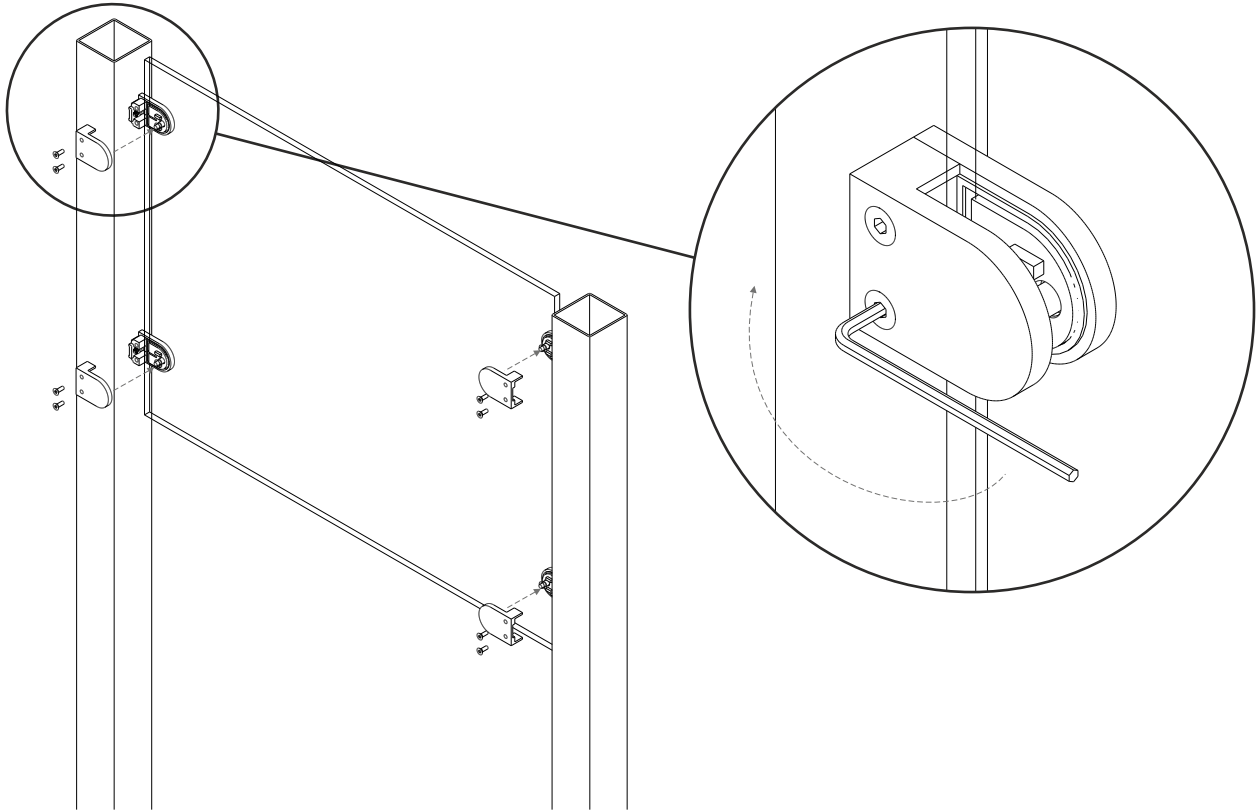
1. Bolt the Back Section of the Stand Glass Clamps into the posts



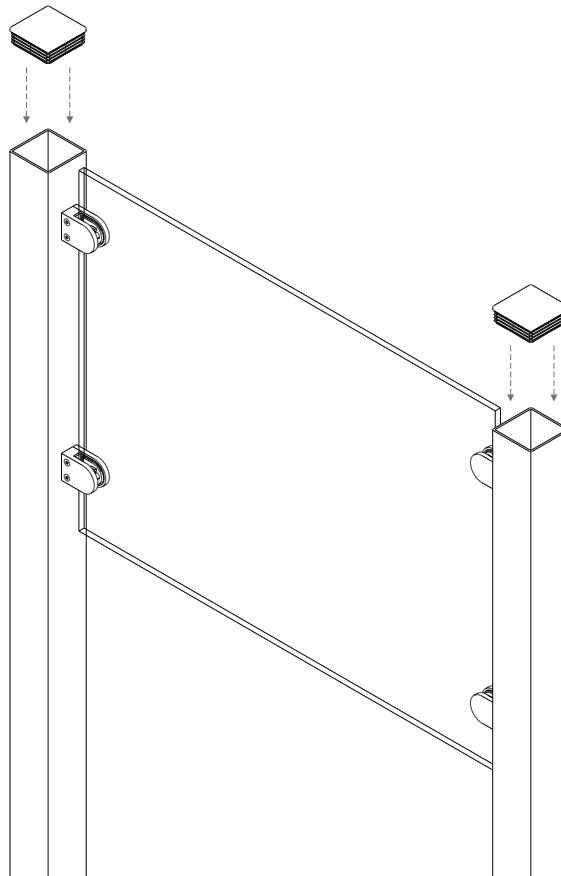
2. Place the Acrylic panel onto the mounted Glass Clamp (Back Section). Align holes with pins



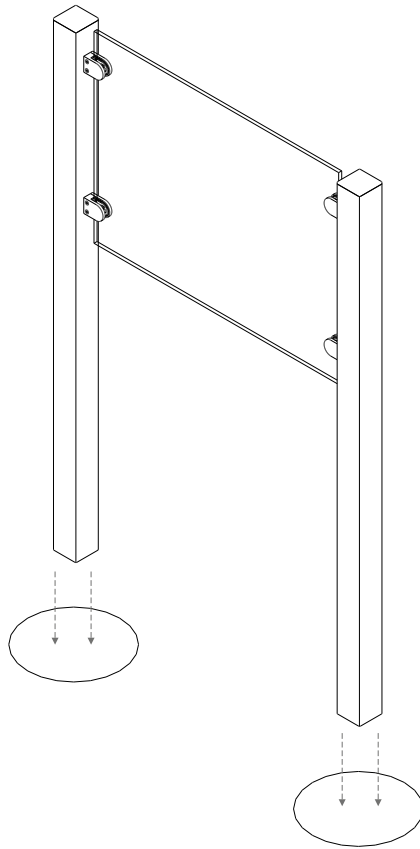
3. Fix front section of the Glass Clamp on. To Clamp the acrylic in place



4. Slot Post Caps into the top of the posts.



5. Now you can mount your signage into the ground.



6. The Sign is now complete

