

Tools Required

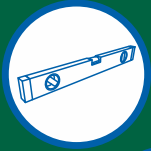
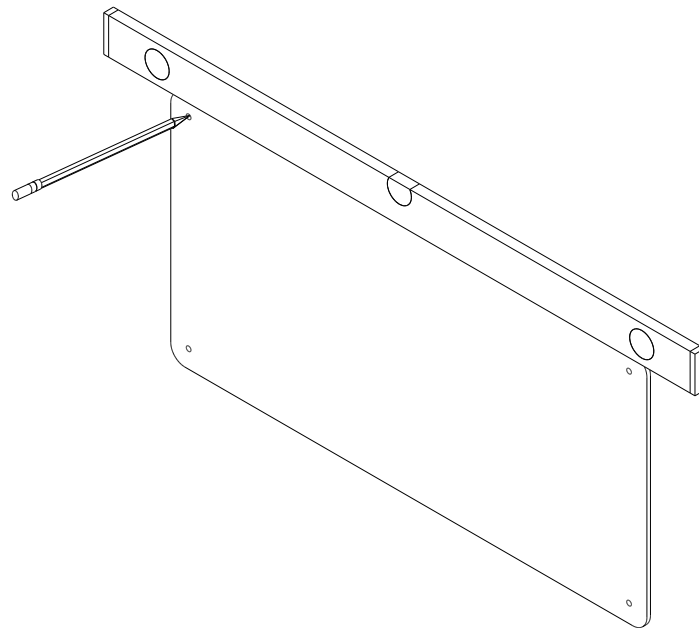


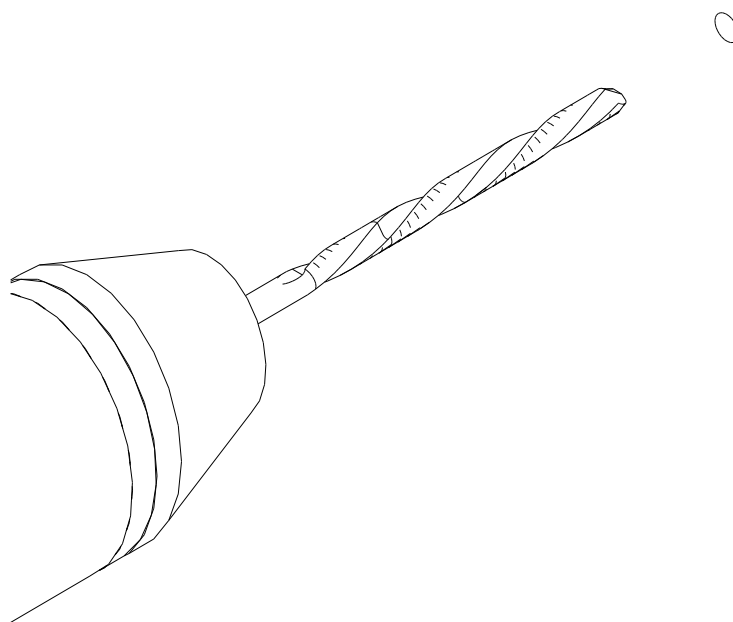
PLATE WALL MOUNTED WITH STAND OFF CONNECTORS

Assembling & Mounting

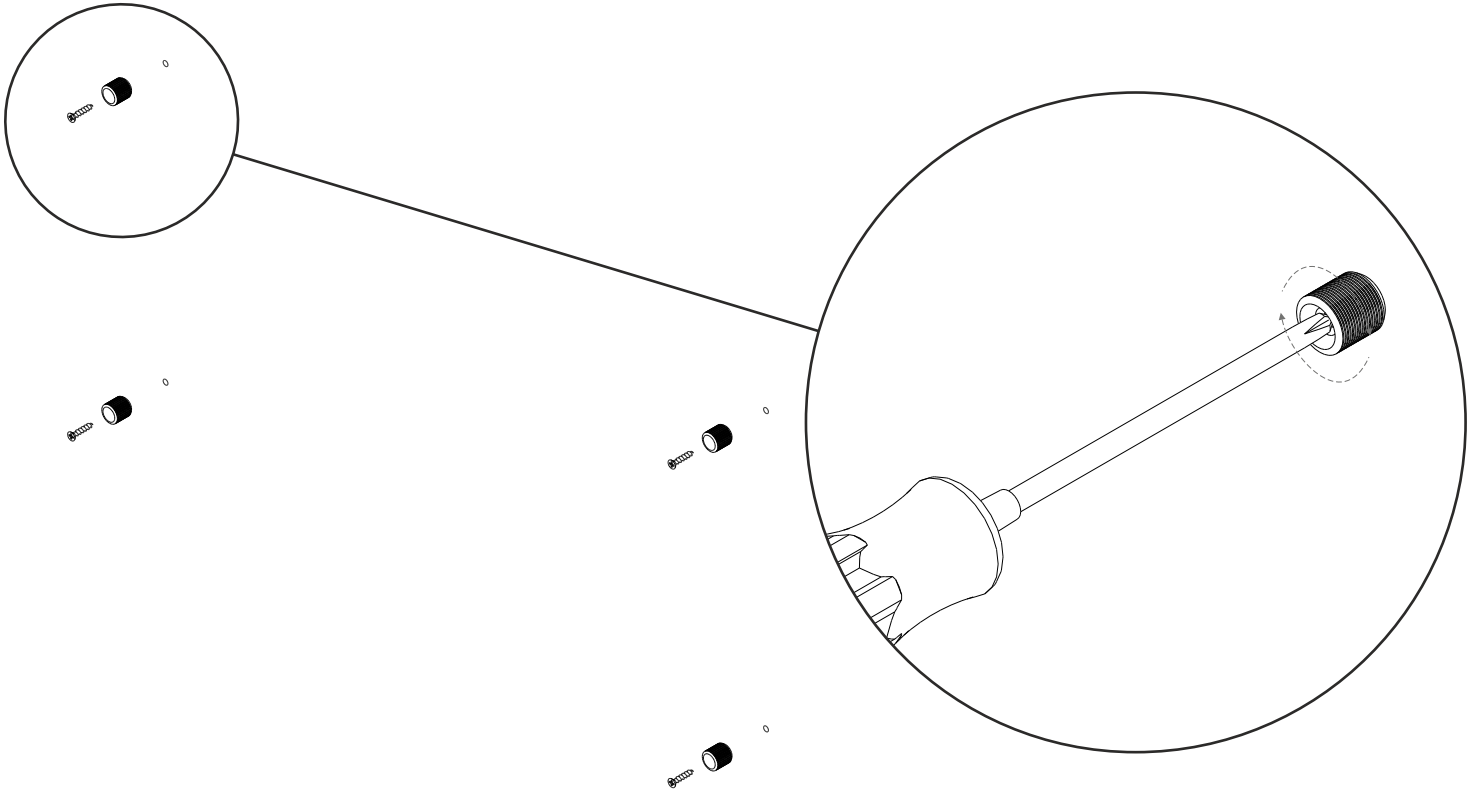
1. Position your panel on the wall (use a spirit level if required) mark your holes on the wall



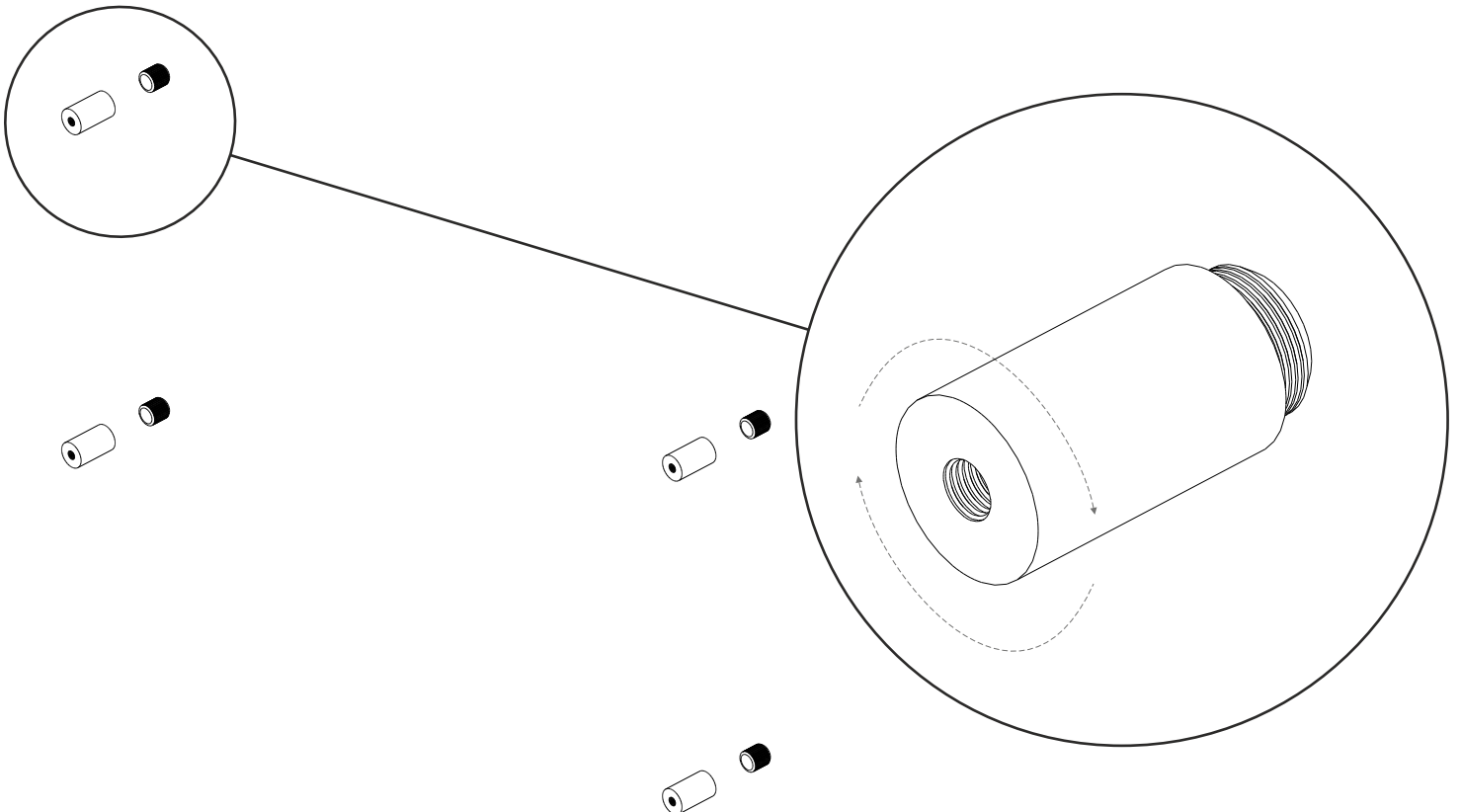
2. Drill and add wall plugs (if required).



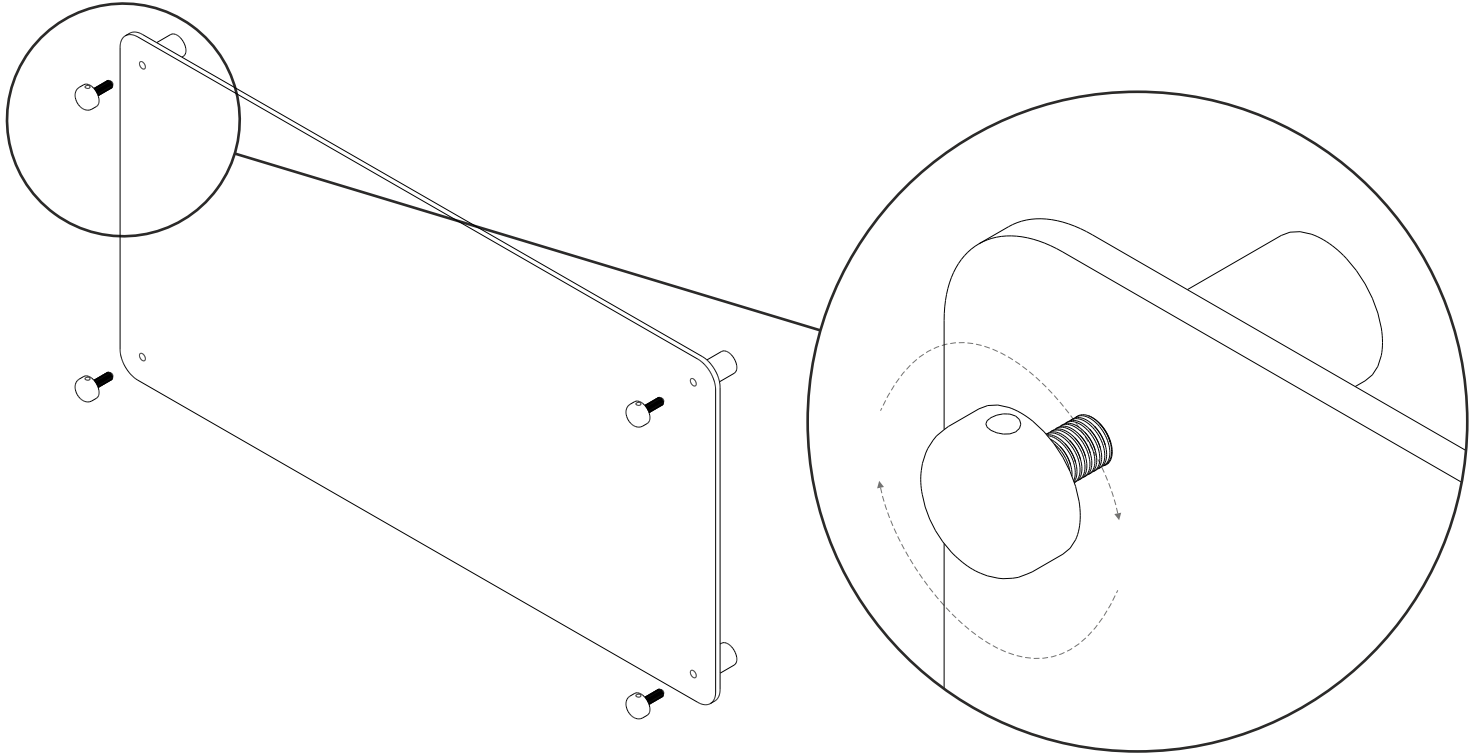
3. Screw Back section of the Stand off Locator to wall



4. Screw Middle Section of the Stand off Locators onto the Back Section.



5. Place Panel over the Middle Section of the Stand off Locator, then screw the Fronts section of the Stand off to hold the Panel.



4. The Sign is now complete.

