

Tools Required

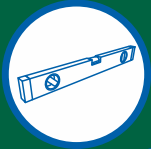
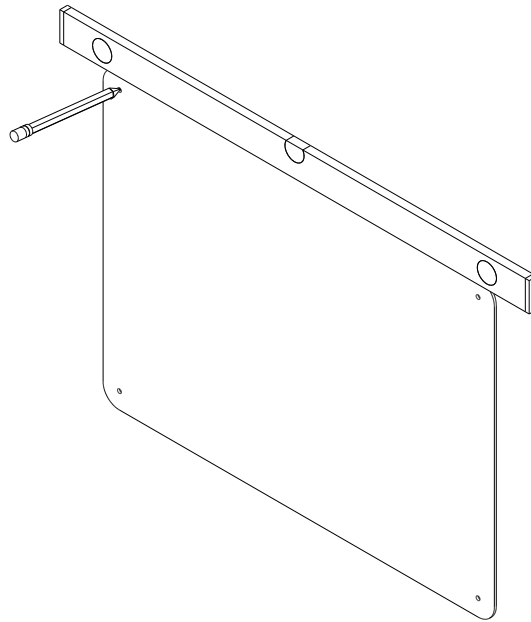


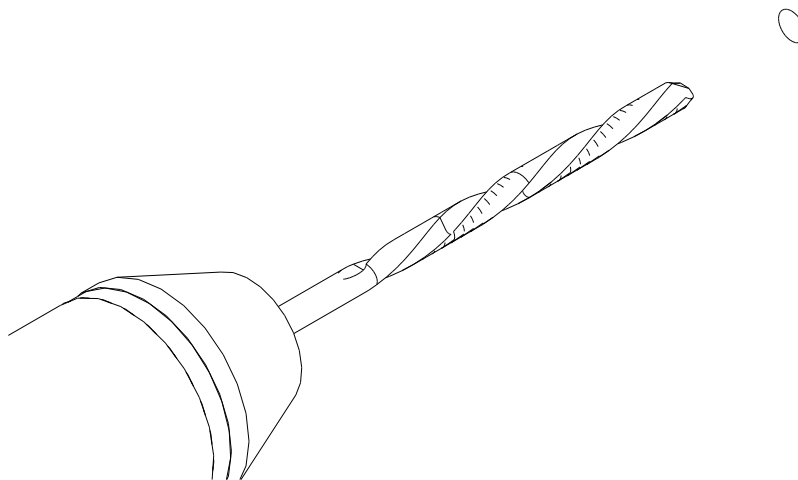
PLATE WALL MOUNTED WITH SCREWS

Assembling & Mounting

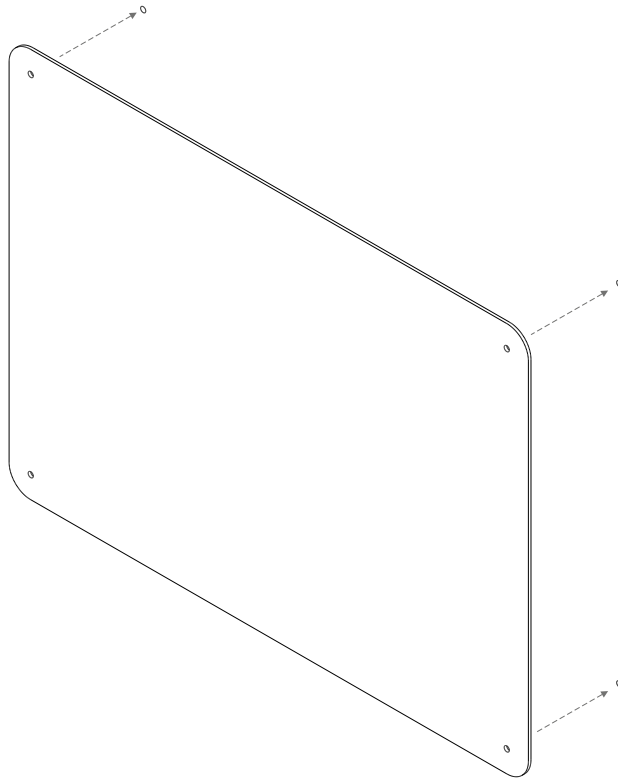
1. Position your panel on the wall (use a spirit level if required) mark your holes on the wall



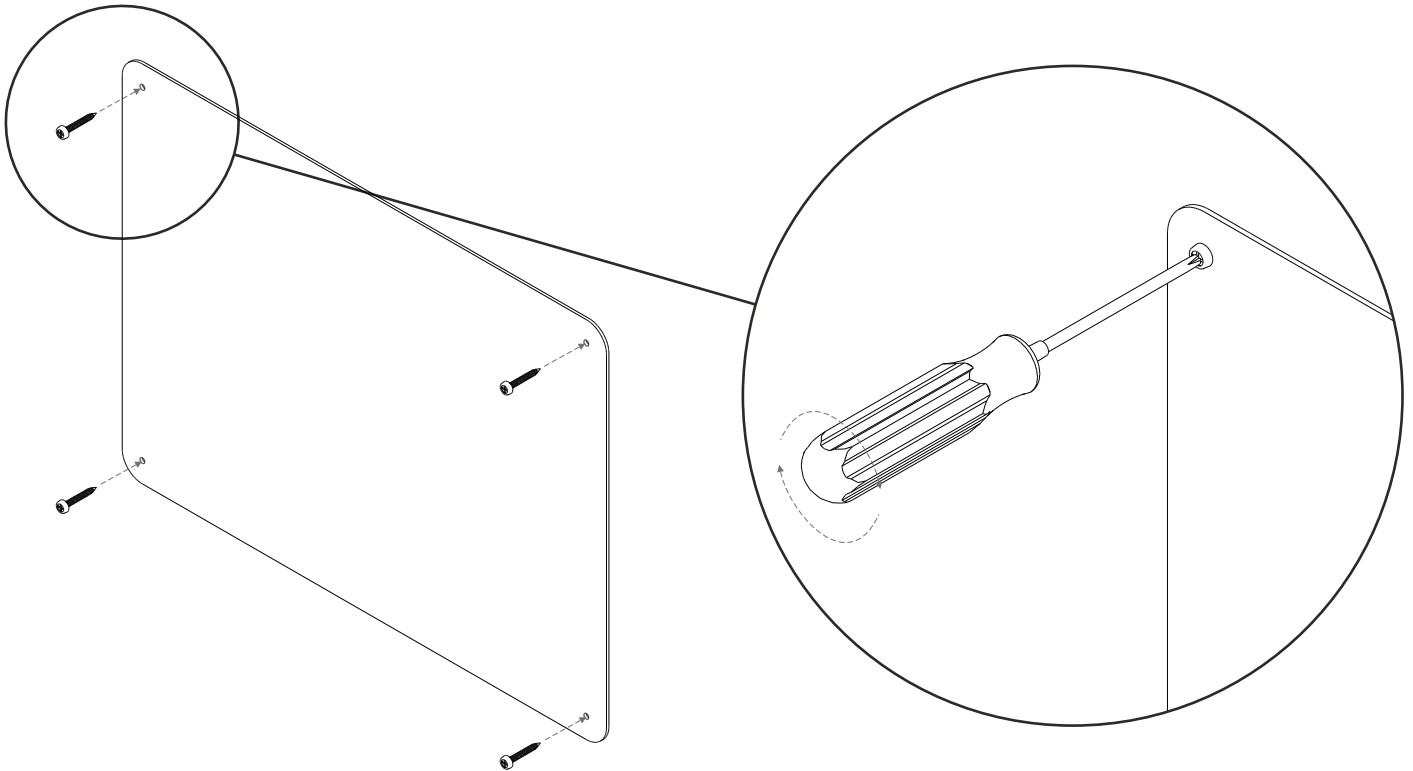
2. Drill and add wall plugs (if required).



3. Place panel over the holes



4. Screw the panel into place.



5. The Sign is now complete

