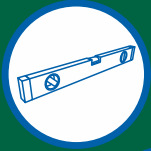


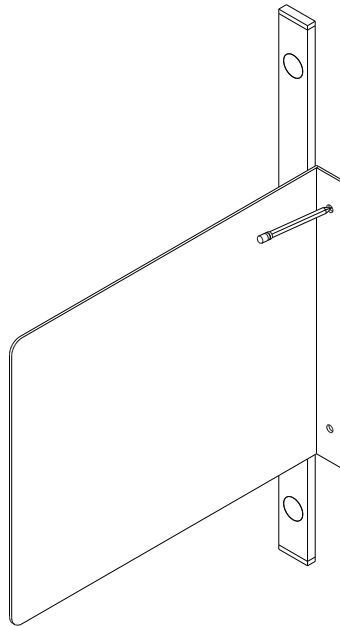
Tools Required



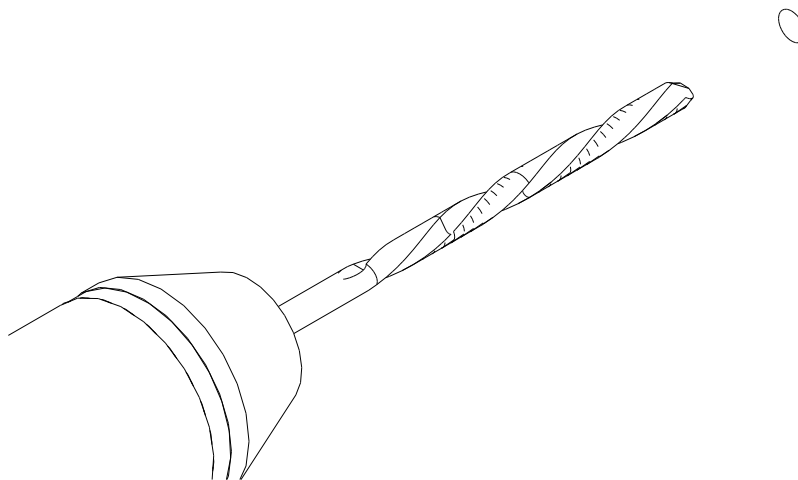
# PLATE WALL MOUNTED PROJECTING SIGN

## Assembling & Mounting

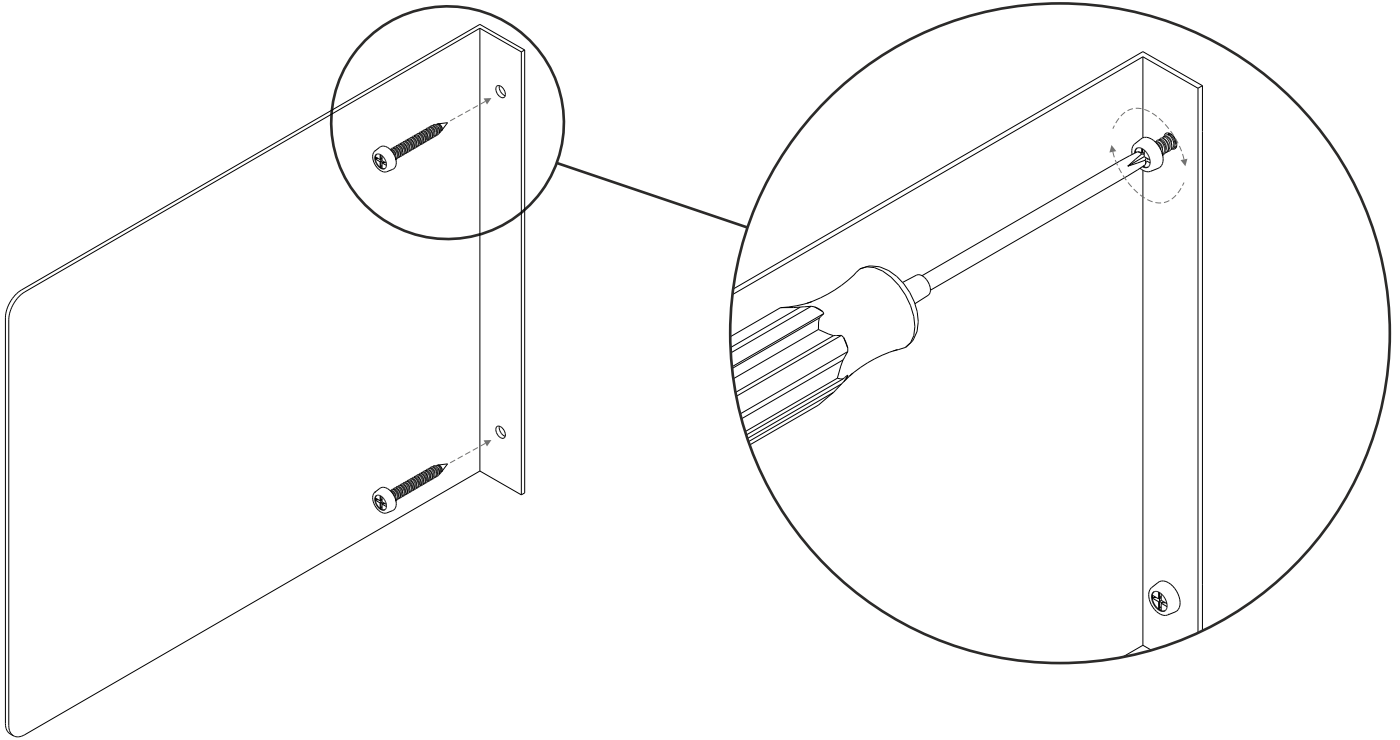
1. Position your Projecting panel on the wall (use a spirit level if required) mark your holes on the wall



2. Drill and add wall plugs (if required).



3. Place panel over the holes. Screw the sign in place



4. Your Sign is Complete.

