

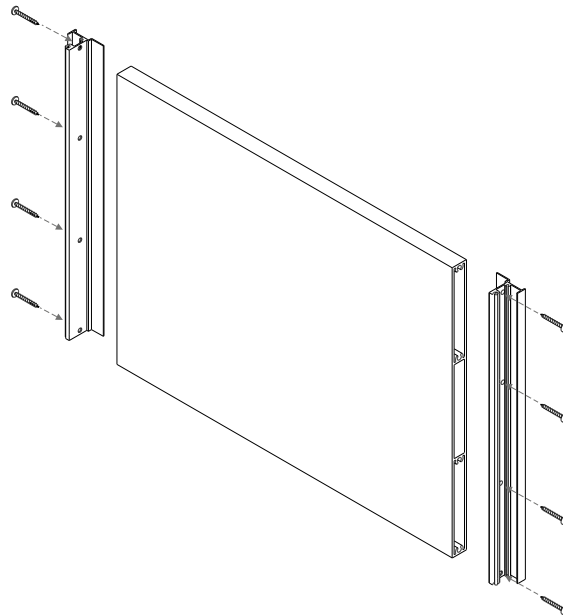
Tools Required



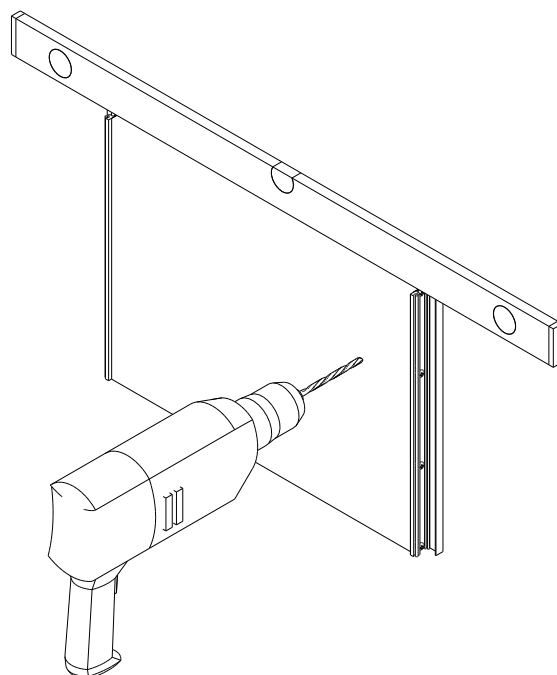
MODULAR WALL MOUNTED

Assembling & Mounting

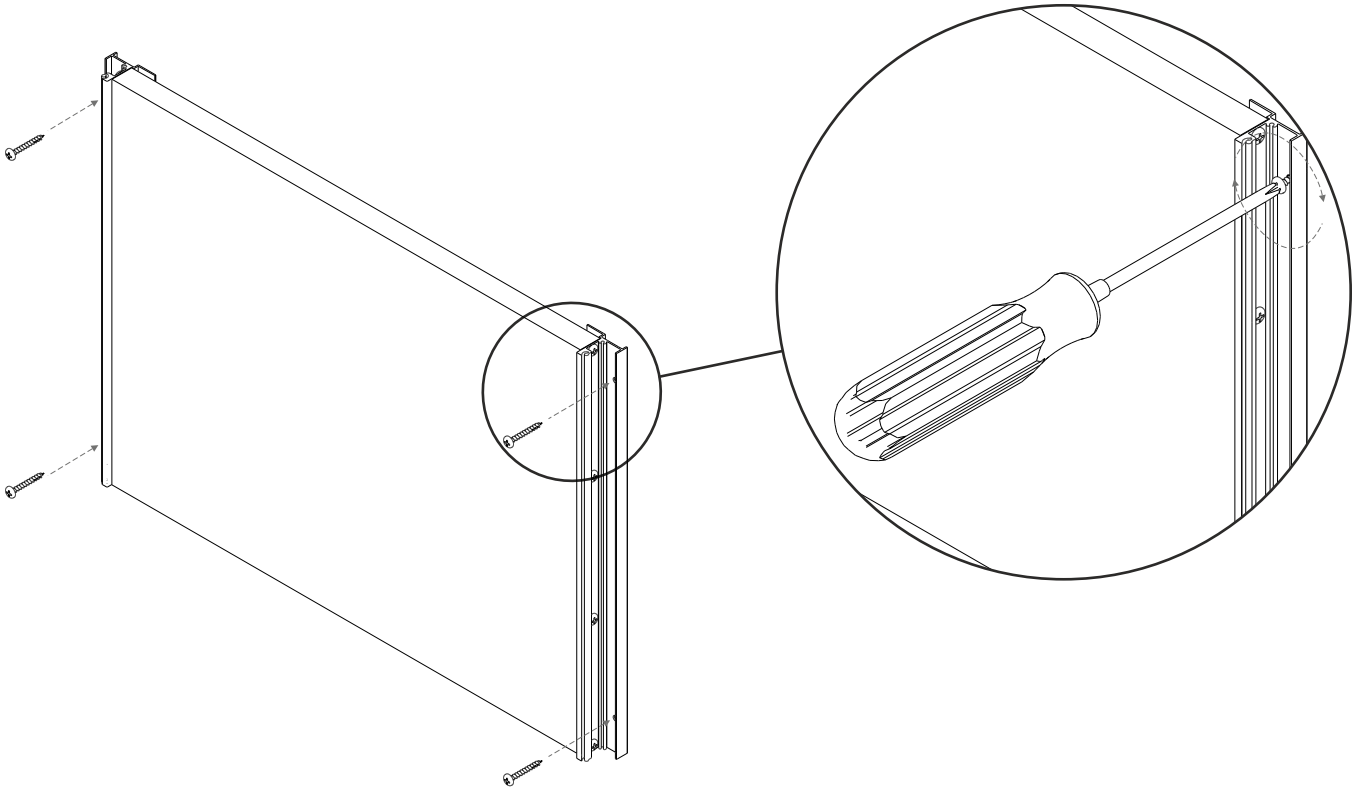
1. Screw the Wall Tracks to the Modular Plank



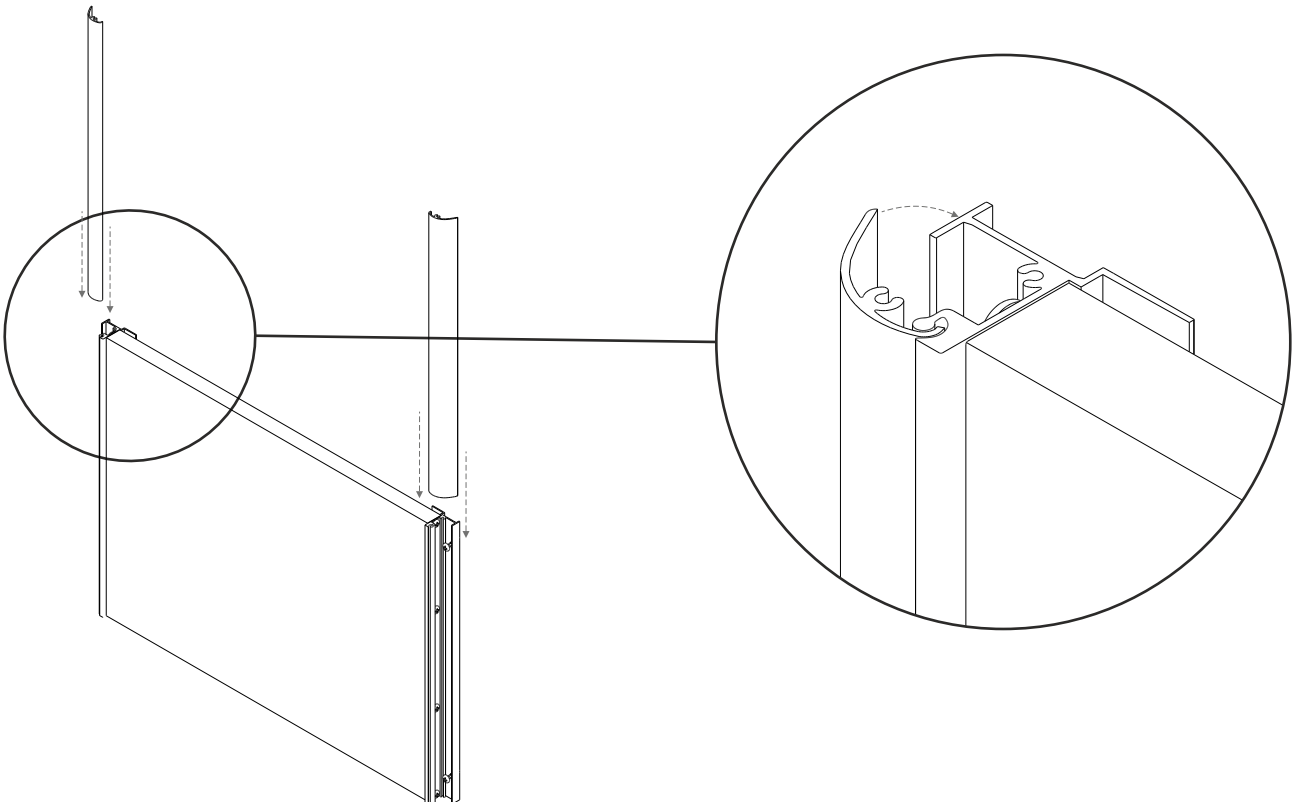
2. Position your Modular Sign on the wall (use a spirit level if required). Drill your holes in the side track and into the wall (use wall plugs if required).



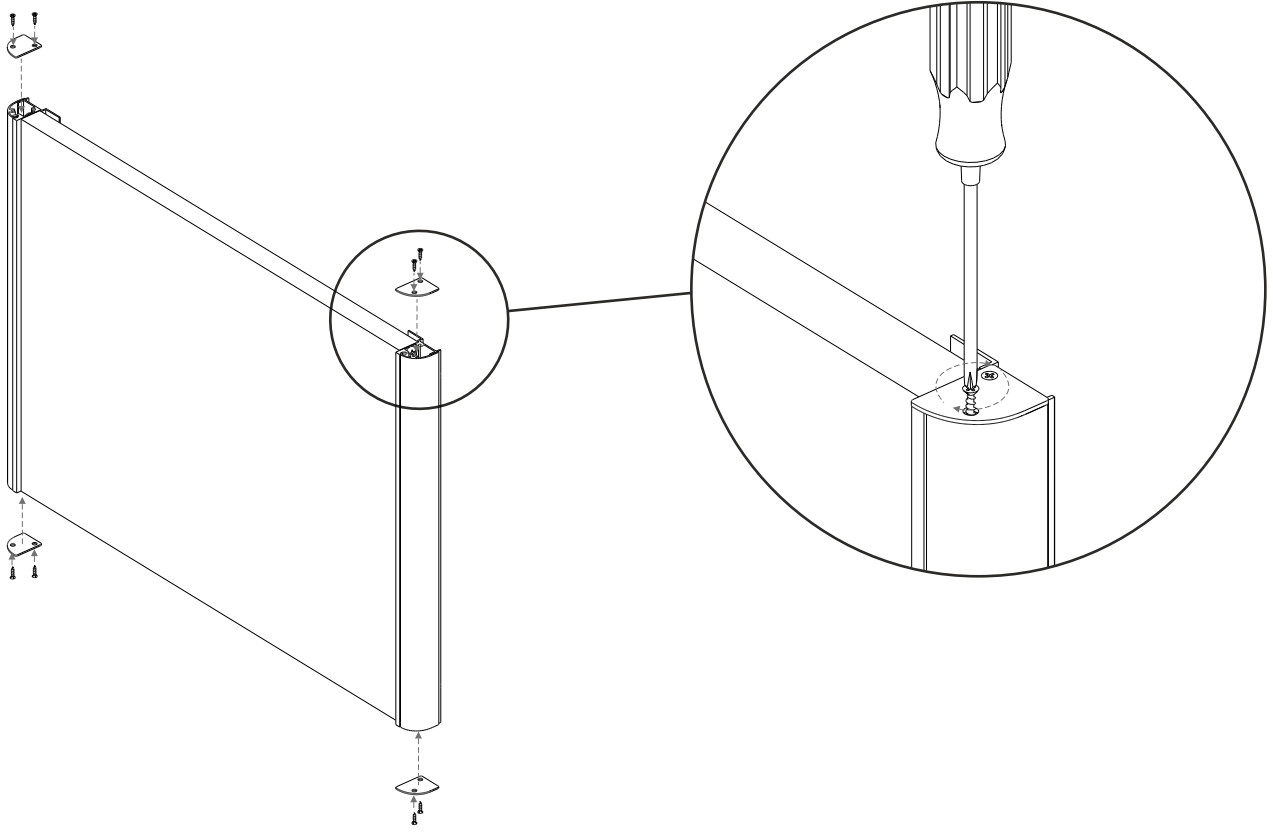
3. Screw Modular Sign to the Wall



4. Slide the Wall Track covers into place and push them back towards the wall into position.



5. Screw the Top and Bottom caps onto the Side Track.



6. The Sign is now complete.

