

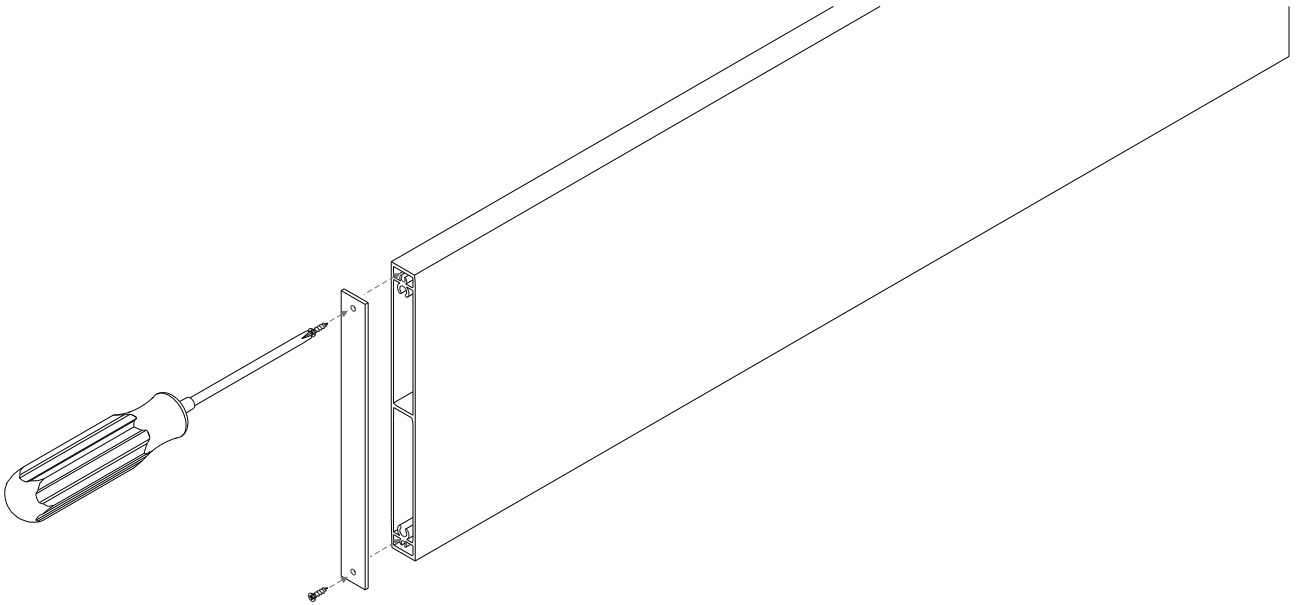
Tools Required



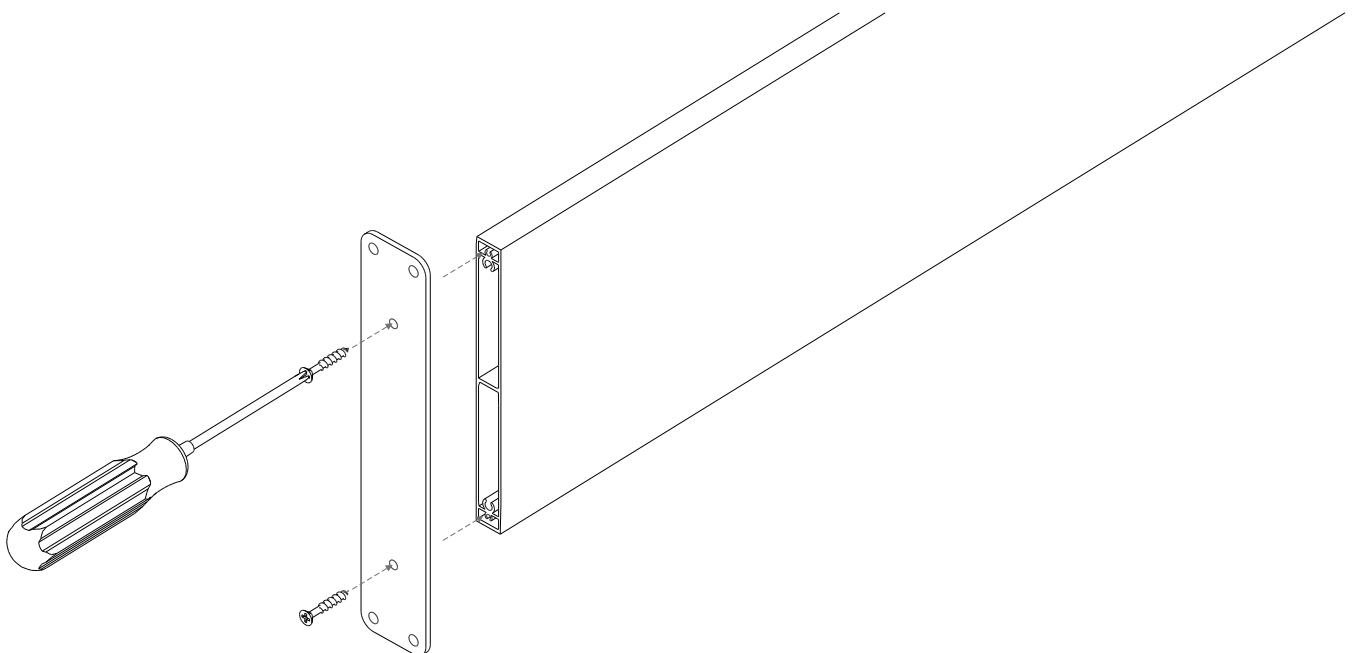
# MODULAR PROJECTING

## Assembling & Mounting

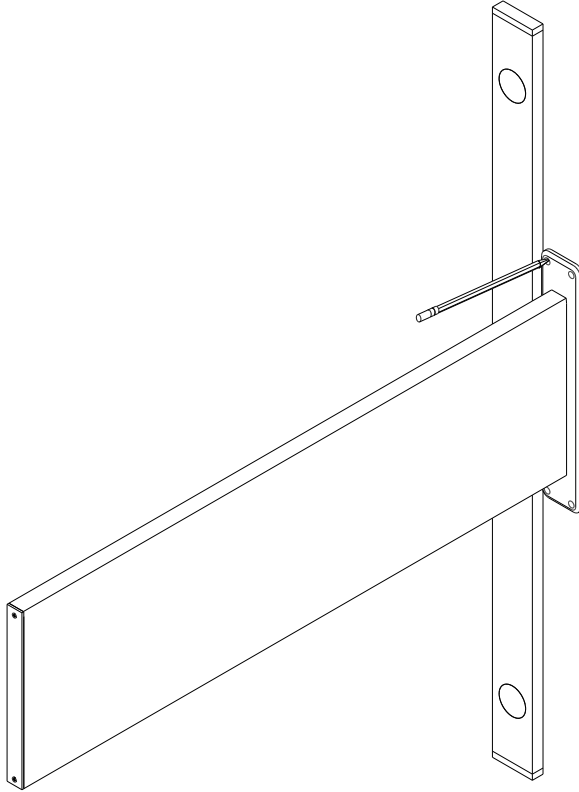
1. Screw the end caps onto one end of the Modular Plank.



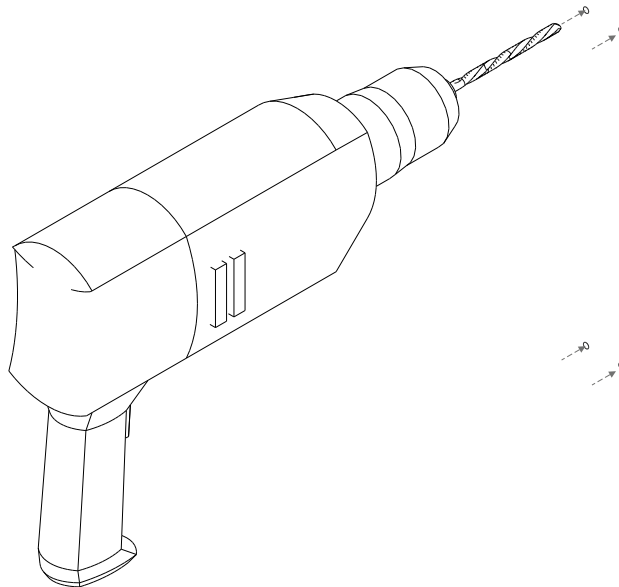
2. Screw the Wall Bracket onto the other end of the Modular Plank.



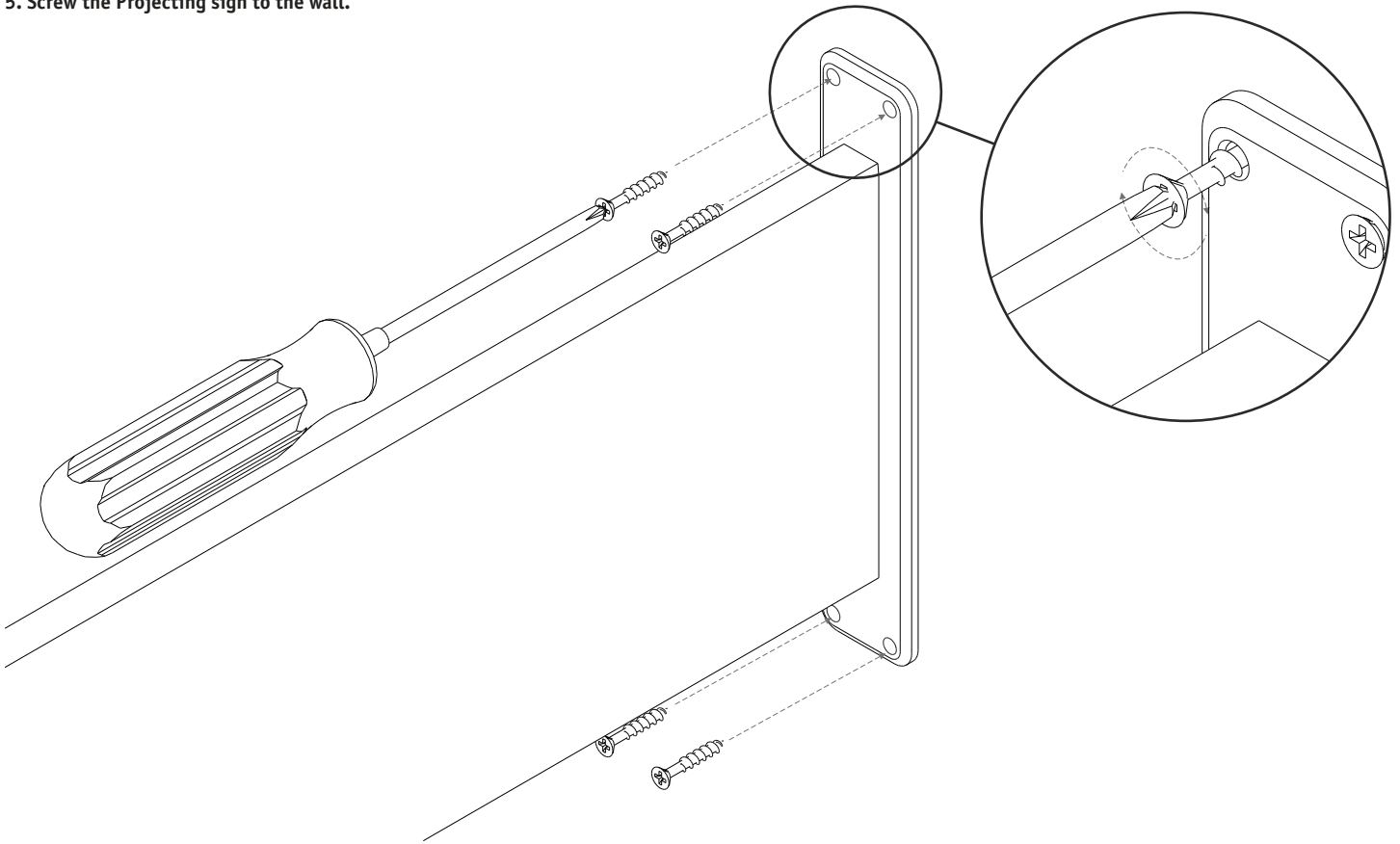
3. Place the Sign on the wall (where required) and mark the hole positions.



4. Drill the holes for mounting to the wall (add wall plugs if required).



5. Screw the Projecting sign to the wall.



6. The install is complete.

