

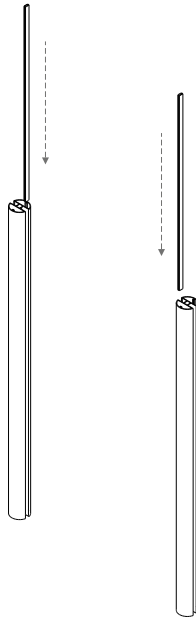
Tools Required



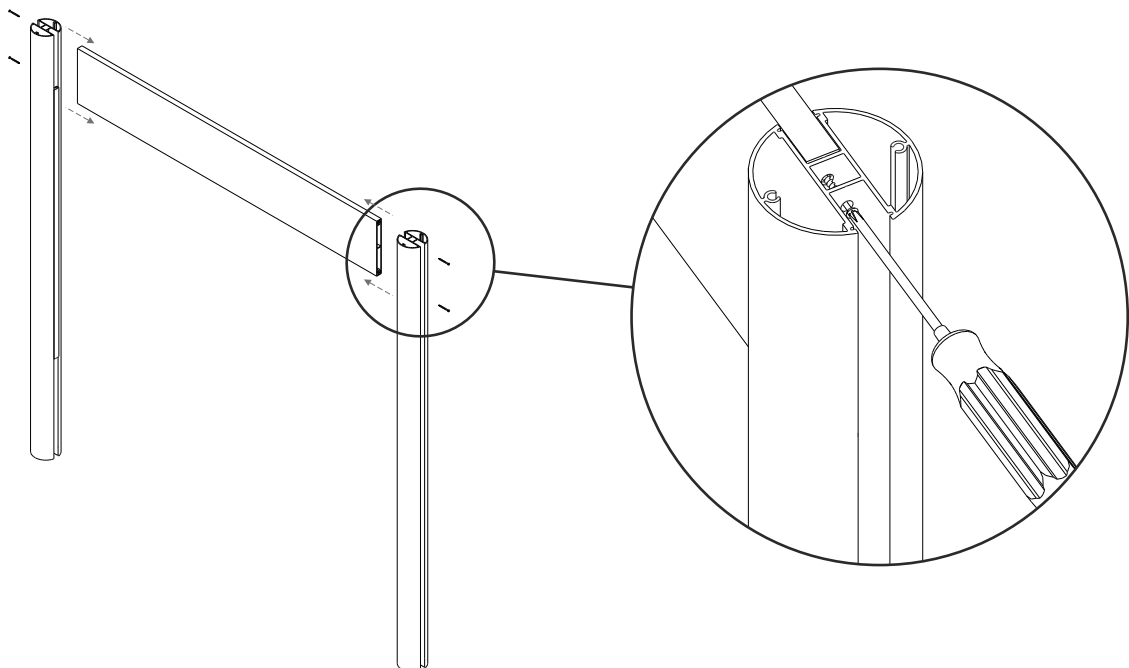
MODULAR POST MOUNTED

Assembling & Mounting

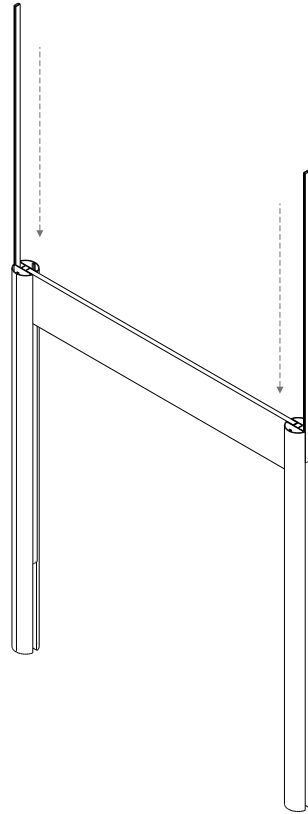
1. Slide the Smaller Modular fillet plates on the inside of the posts



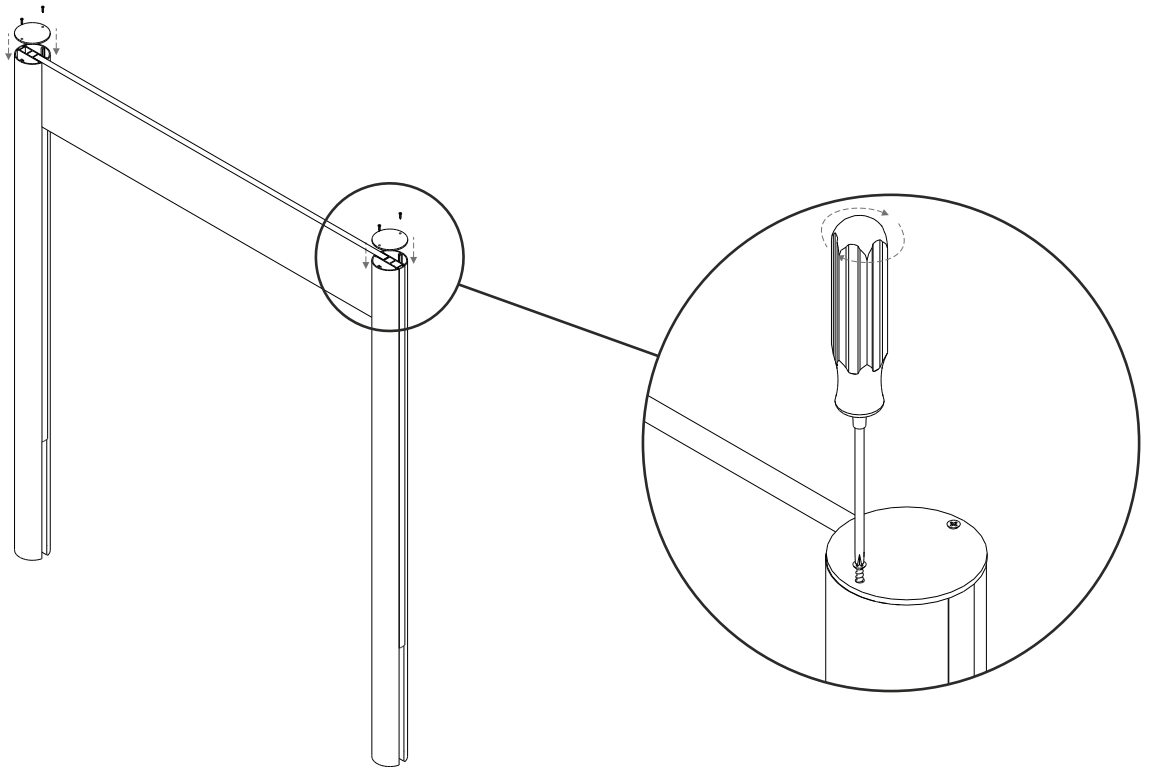
2. Screw the Modular plank to the posts .



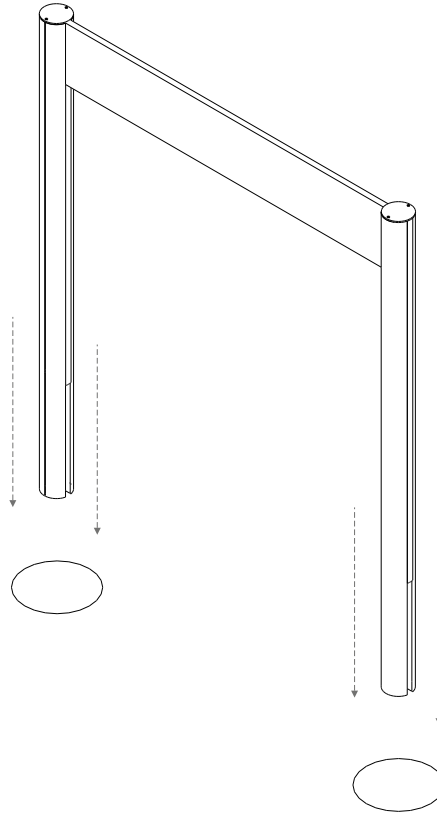
3. Slide the Longer Modular Fillet plates over the outside of the post to cover the fixings.



4. Screw the Post caps into place .



5. Dig holes and mount your posts in position required for your signage. (Please see website for further instructions).



6. Your Modular Post Sign is now complete.

