

Tools Required

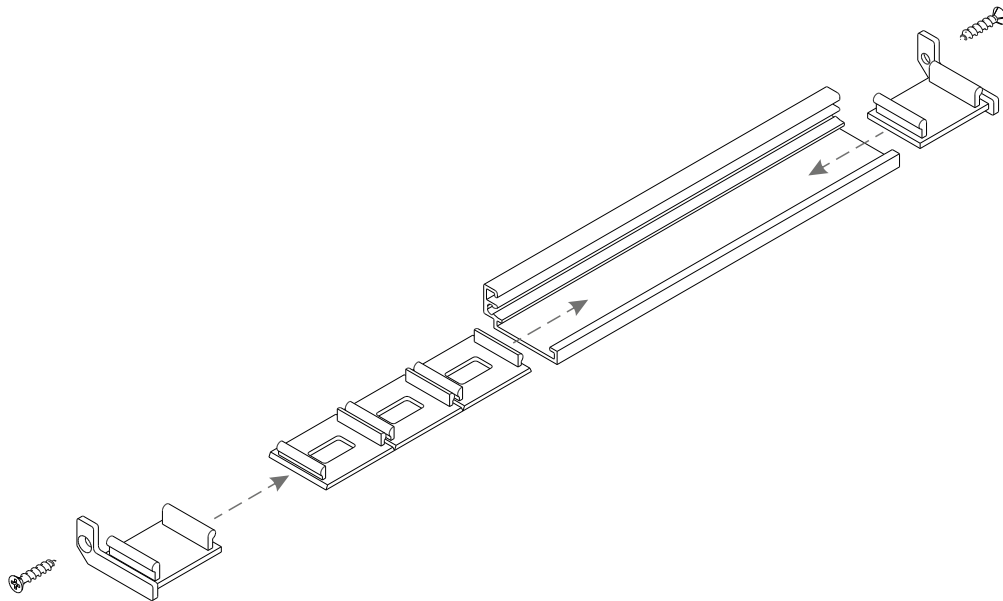


K'NECT WALL MOUNTED

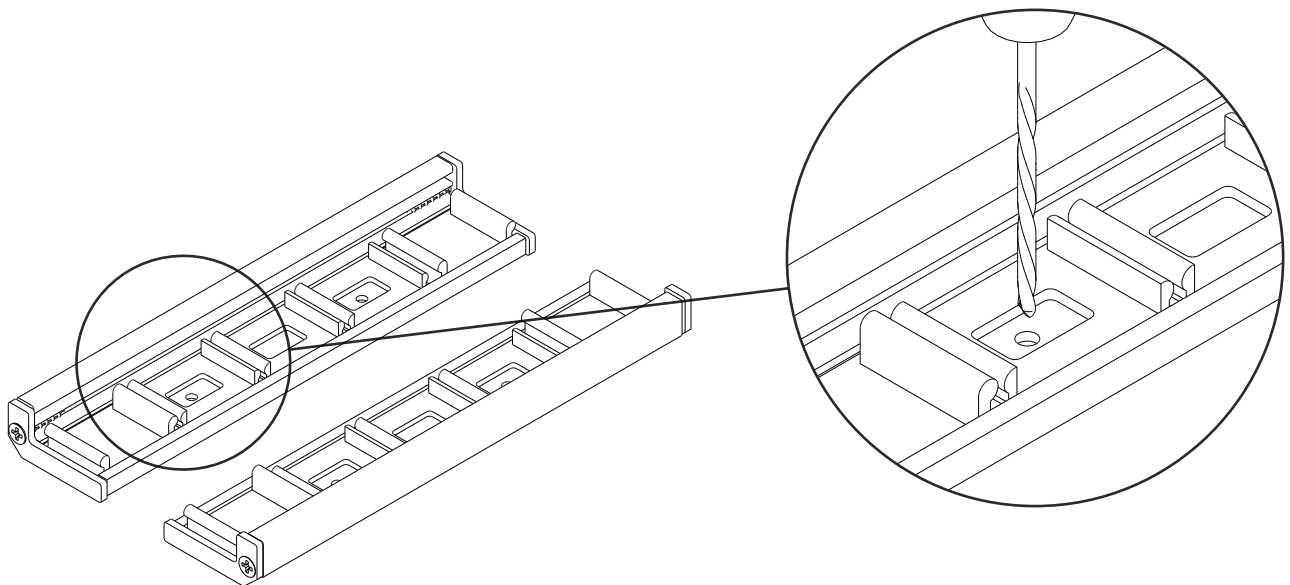
Assembling & Mounting

Wall Mounting Edge Strip Version

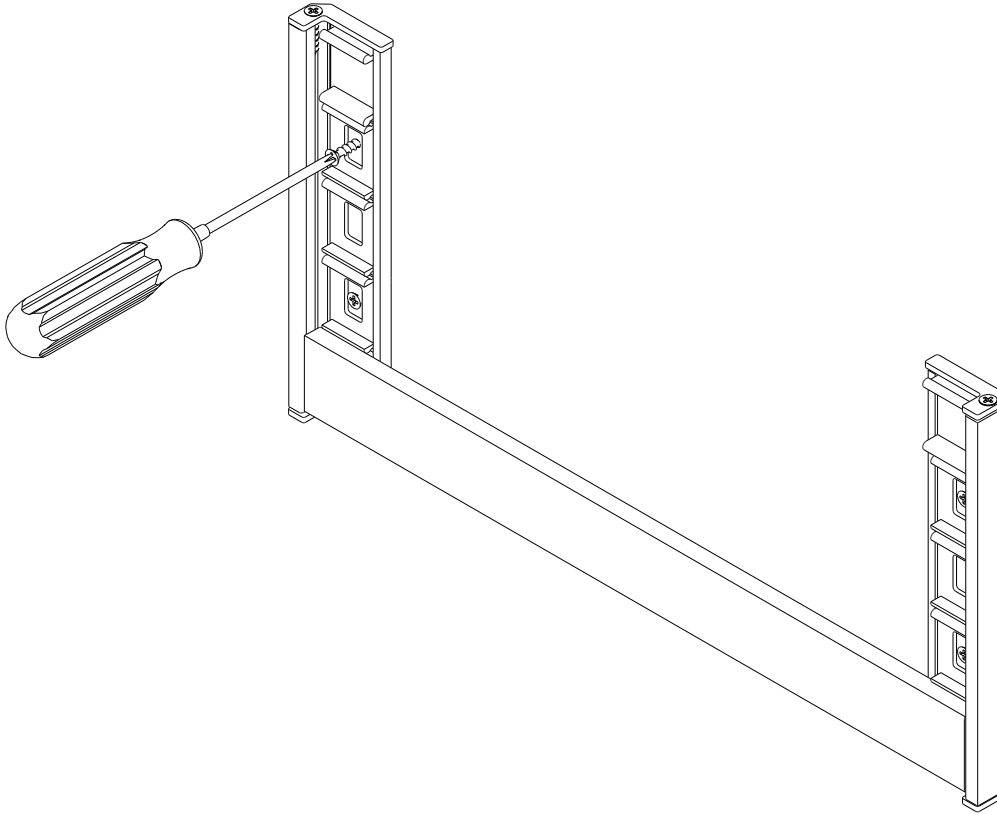
1. Slide the Plastic edge clip into the Edge Strip Extrusion and then place the Square Edge Strip End Caps on the end of both sides of the extrusion. You can use the Small screw frame screw to hold them in place. You will have to do this twice (left & right side of the sign system).



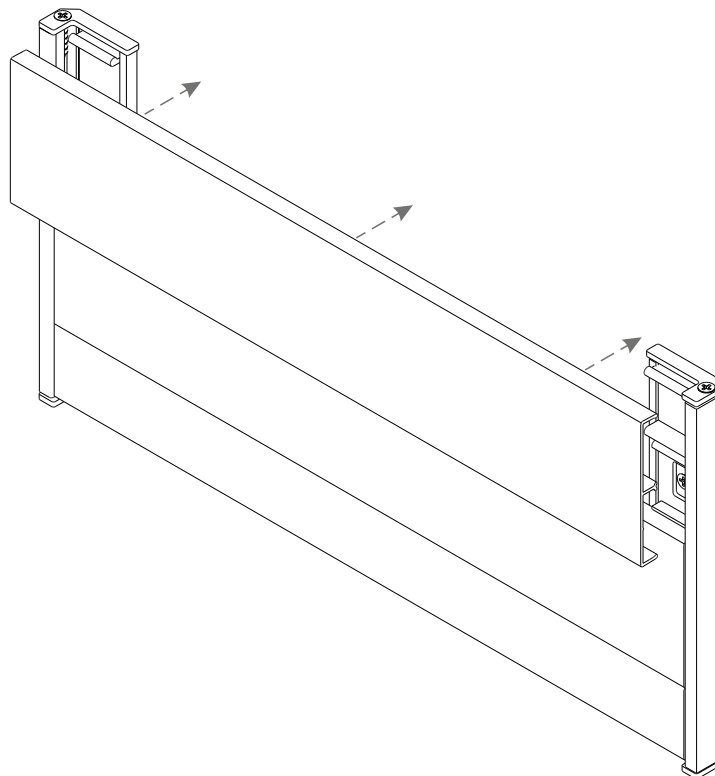
2. Holes will have to be drilled in the gaps of the Plastic Edge Clip and through the Edge Strip extrusion to mount to the wall.



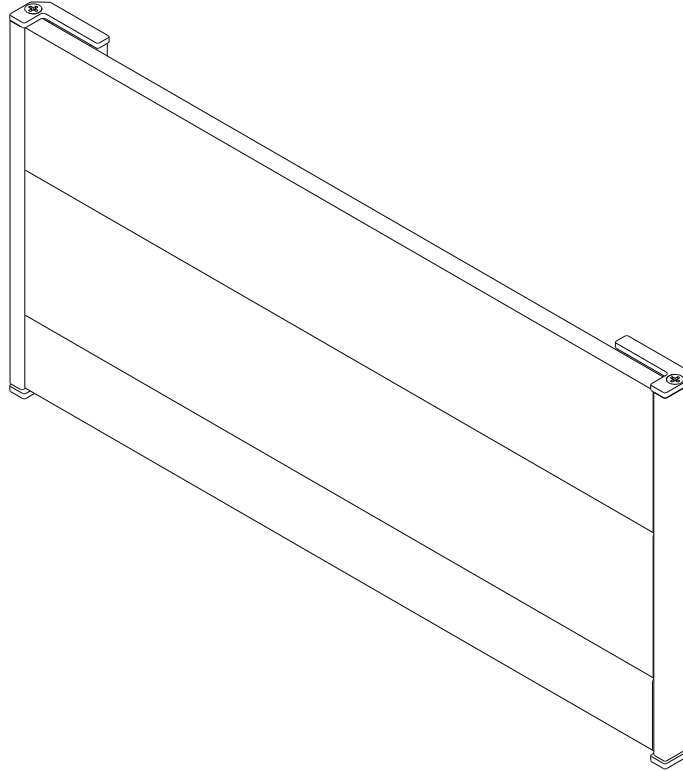
3. Using one of the slats (click into place) you can get the correct spacing between the Edge Strips so you can screw the system to the wall.



4. After the system as been screwed to the wall, you can simply push the other K'nect slats into position.

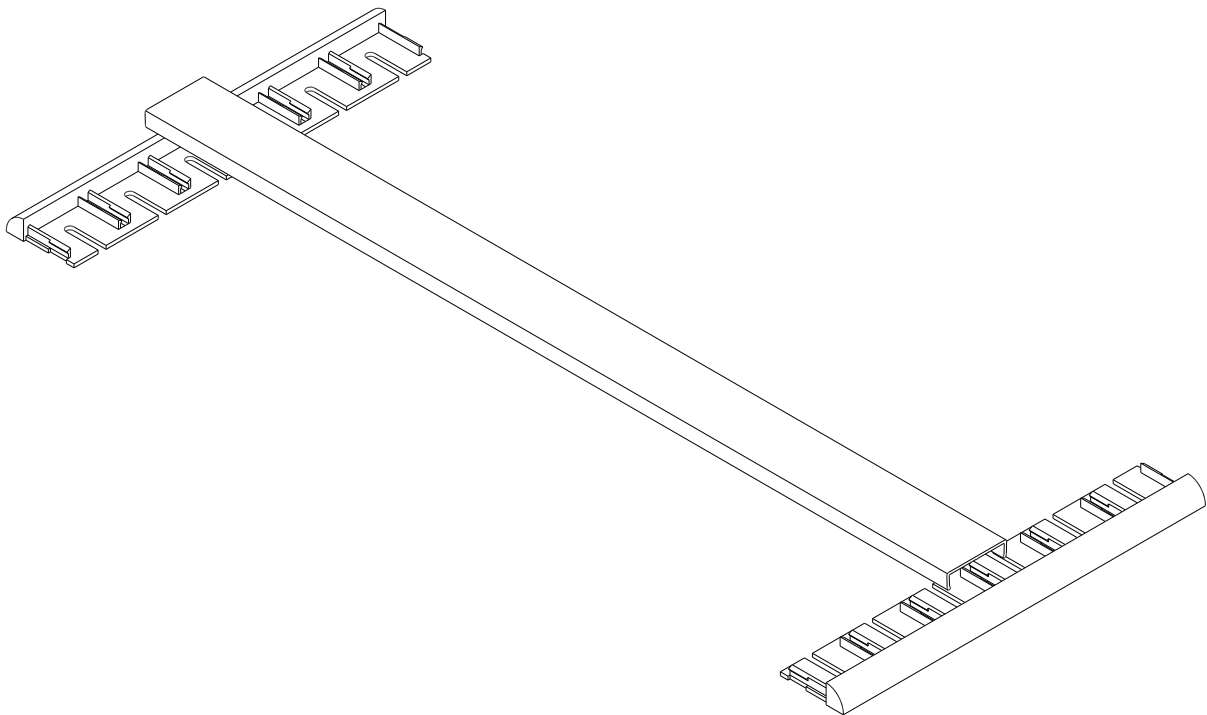


5. The system will then be complete. You can remove and replace the slats as you wish, also change the orientation of the slats if needed.

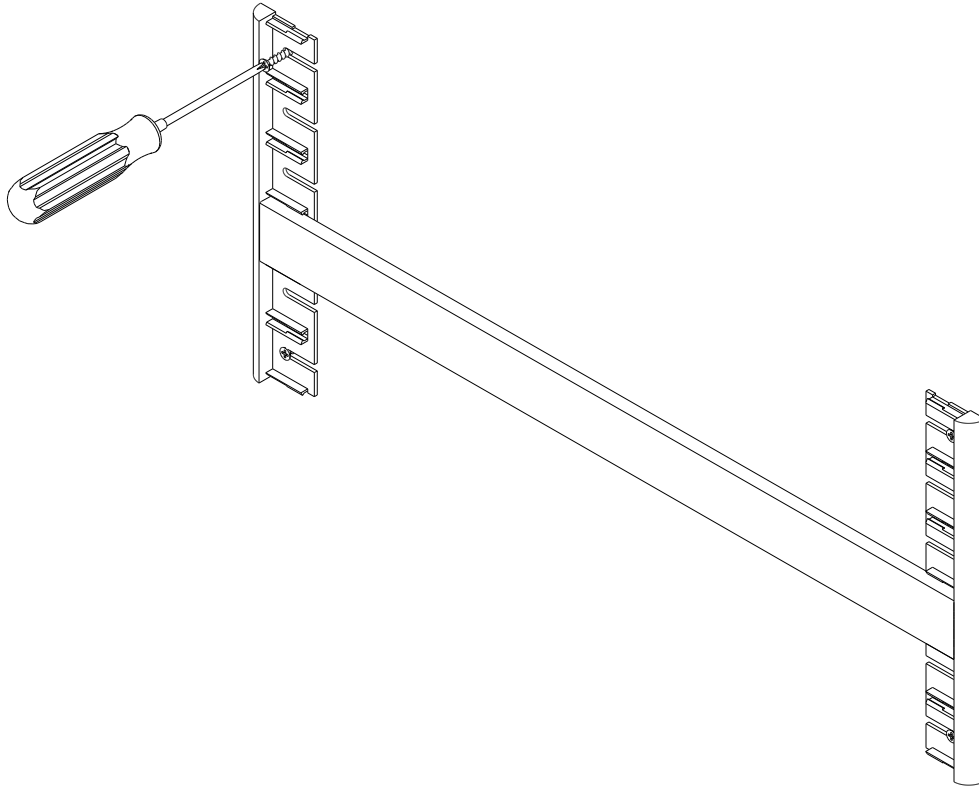


Wall Mounting End Cap Version

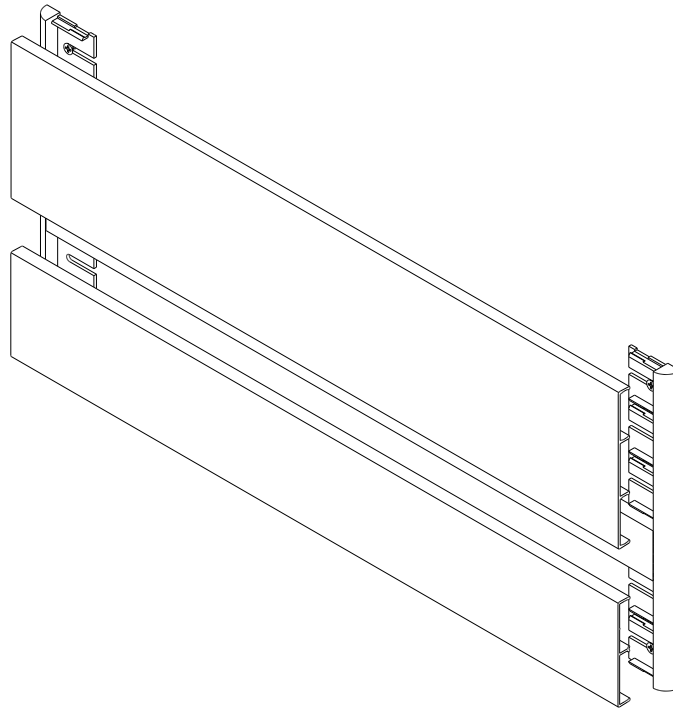
1. Click one of the K'nect slats into place so that the Wall Mounting End Caps are the correct spacing apart.



2. Place in the position on the wall that you would like to install. Screw the Wall Mounting End Caps (using the gaps available) to the Wall



3. After the system as been screwed to the wall, you can simply push the other K'nect slats into position.



4. The system will then be complete. You can remove and replace the slats as you wish, also change the orientation of the slats if needed.

