

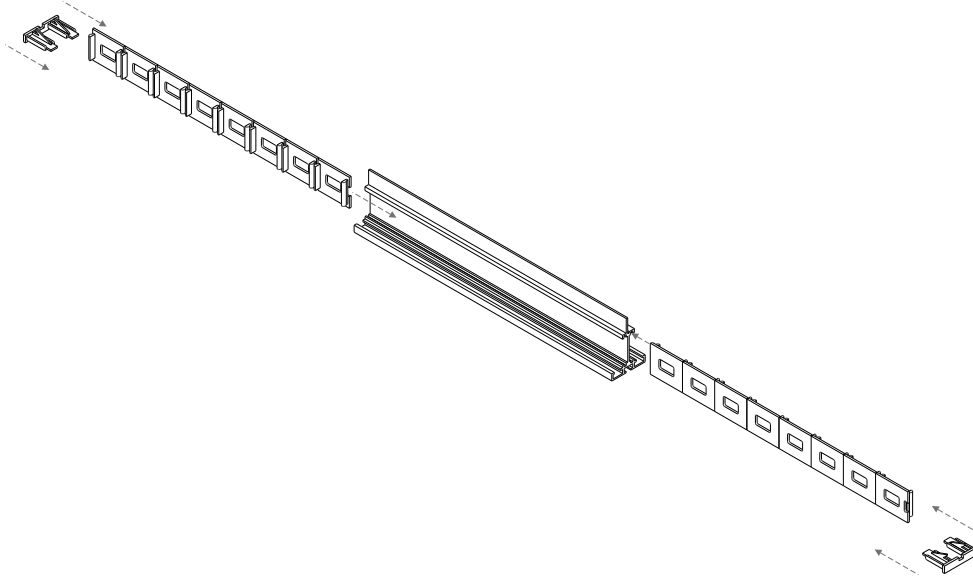
Tools Required



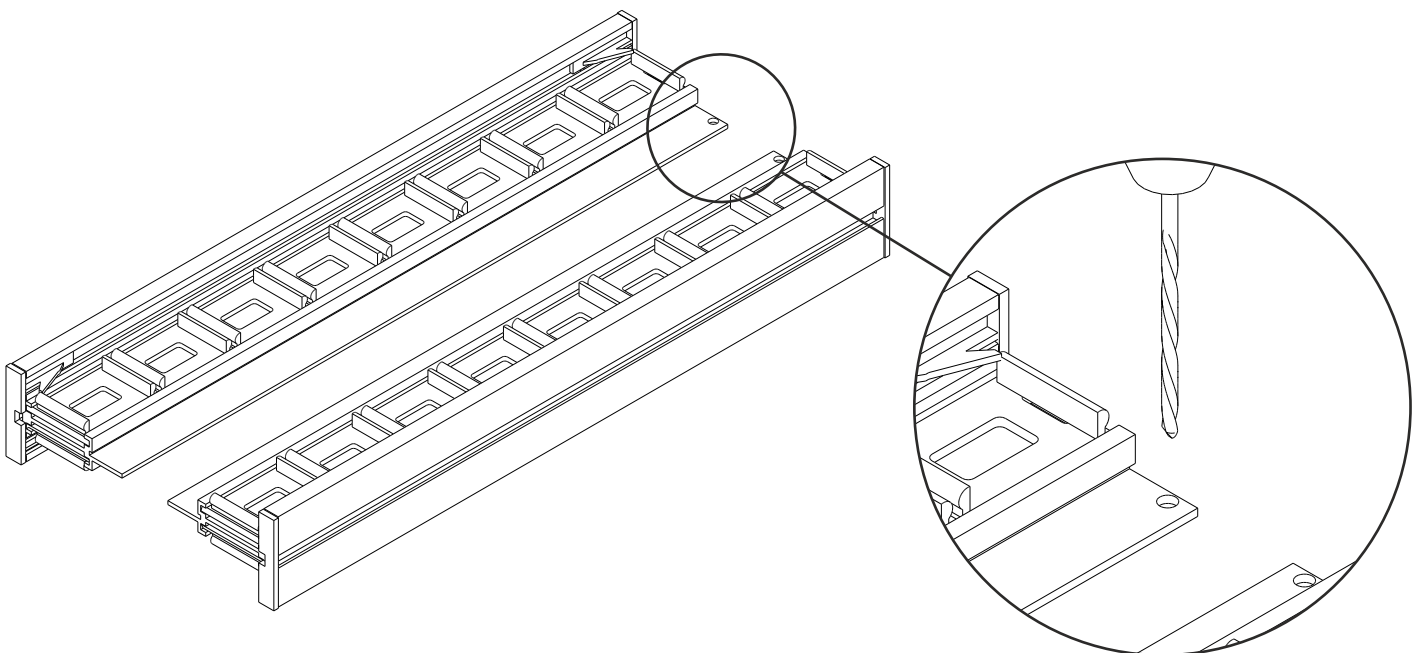
K'NECT SUSPENDED

Assembling & Mounting

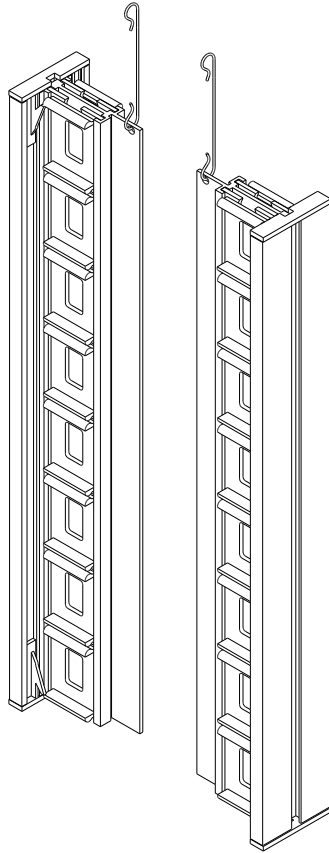
1. Slide the Plastic Edge Clip into the Suspended Edge Strip (Both sides). Then place the Suspended Edge Strip End Cap at both ends. You will have to repeat this process with for the other side of the suspended sign.



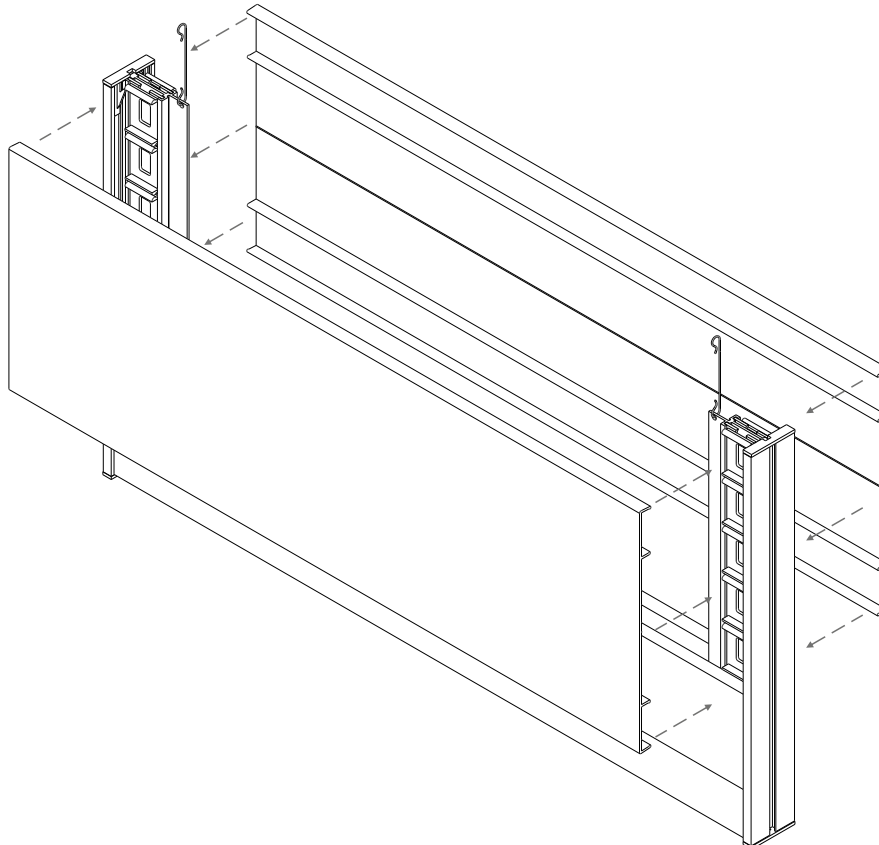
2. Drill a 3mm hole close to the edge of the Suspended Edge Strip Extrusion (same on both Sides of the Suspended Sign) to hang the sign from.



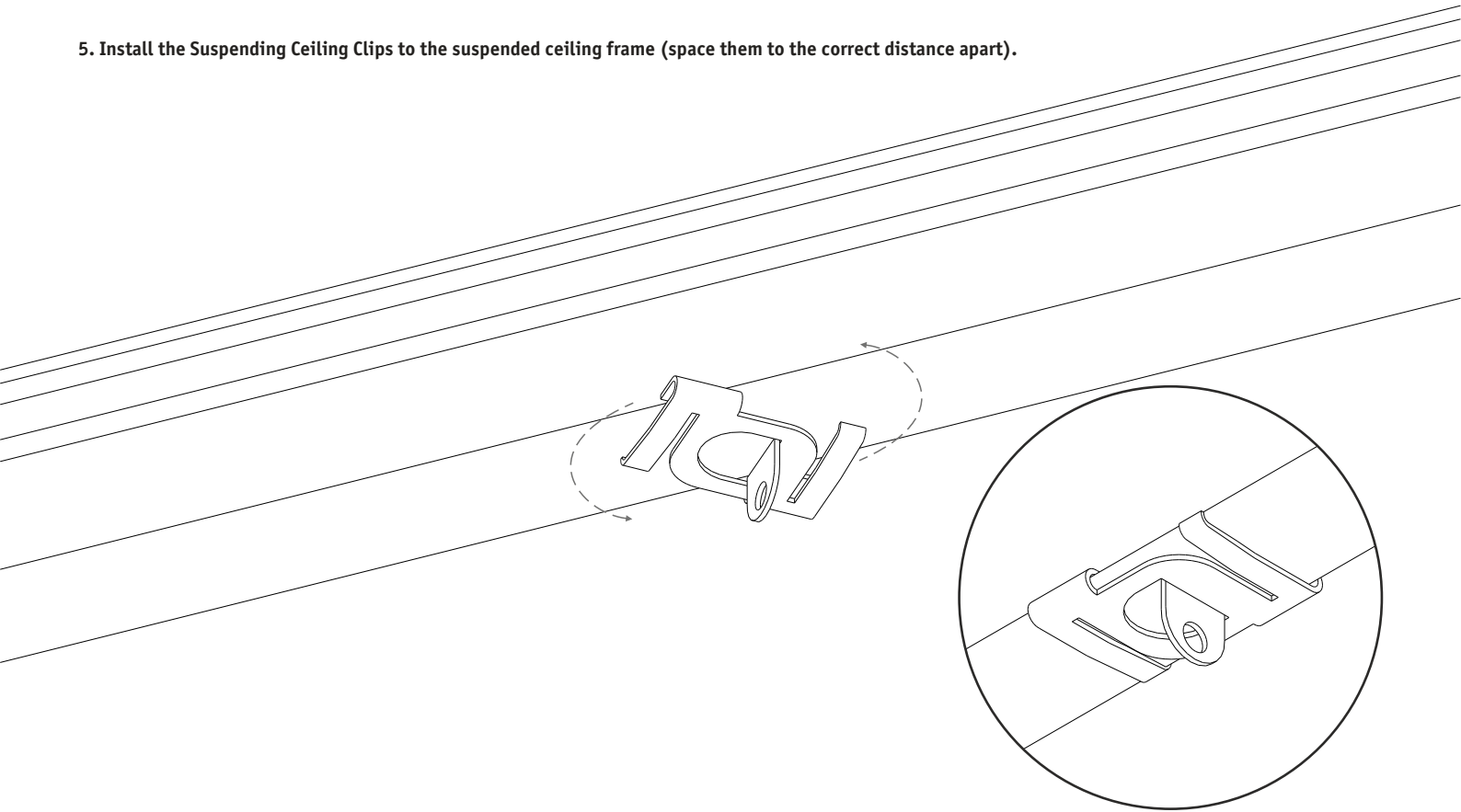
3. Apply The Suspending Hooks to the Suspended Edge Strip Extrusion.



4. Connect the Slat Extrusions to both sides of the Suspended Edge Strip Extrusion (as shown below).



5. Install the Suspending Ceiling Clips to the suspended ceiling frame (space them to the correct distance apart).



6. Connect the Suspended K'nect Sign to the Ceiling Clips and the sign is fitted.

