

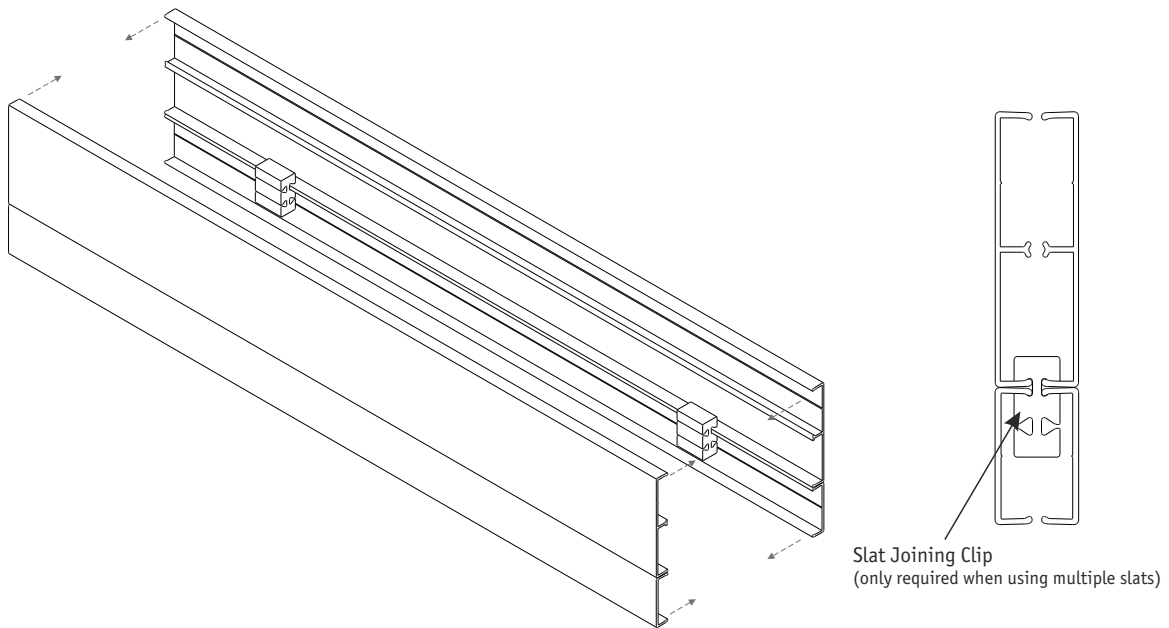
Tools Required



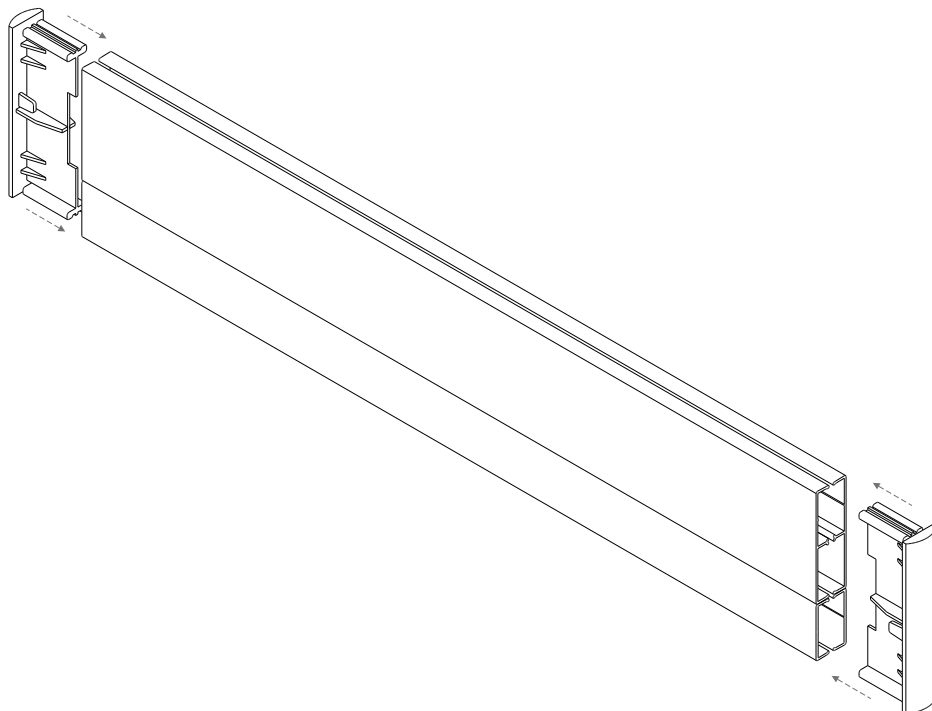
K'NECT PROJECTING

Assembling & Mounting

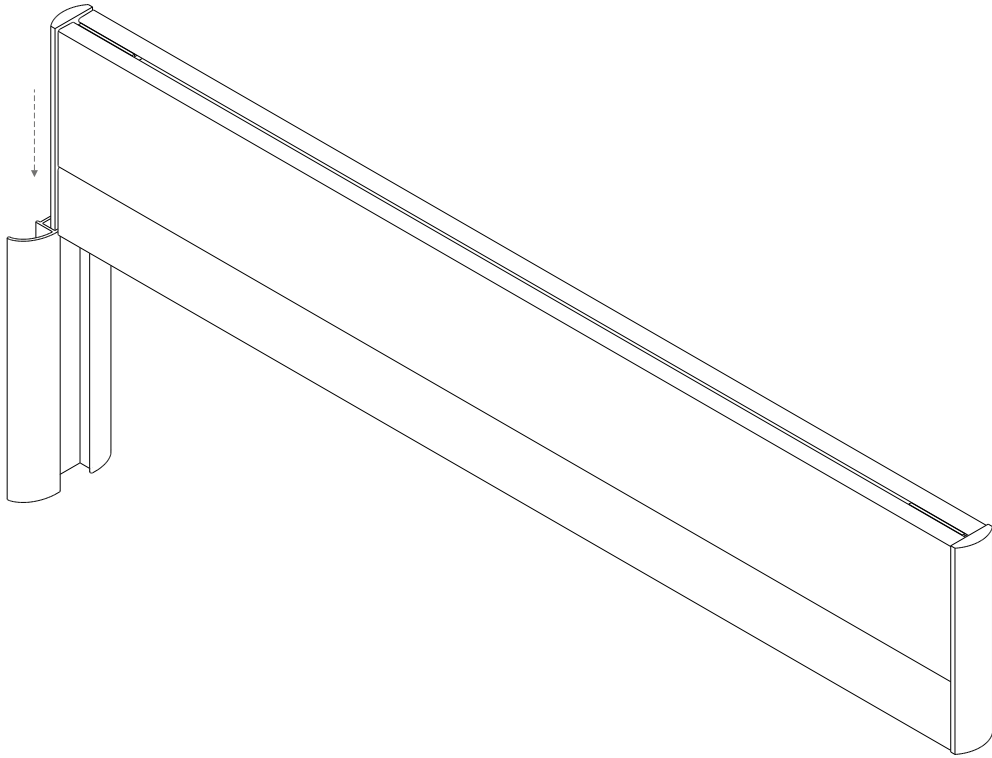
1. Connect the K'nect slats together using Slat Joining clips (This is only required if you are using multiple slats).



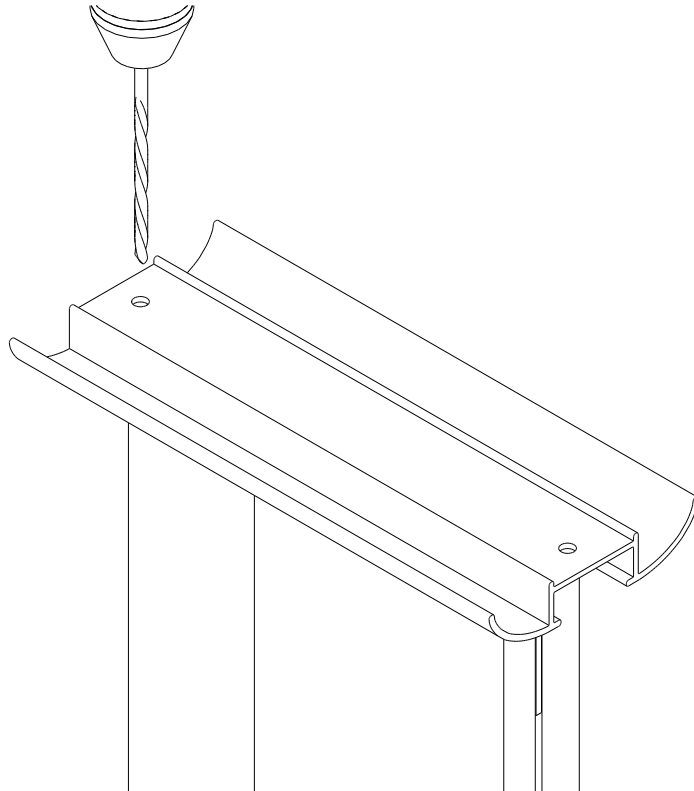
2. Push the Projecting Slat End Caps into the ends of the K'nect slat Extrusions (this may require some force).
Leave one of the caps sitting out by 1.5mm for next step.



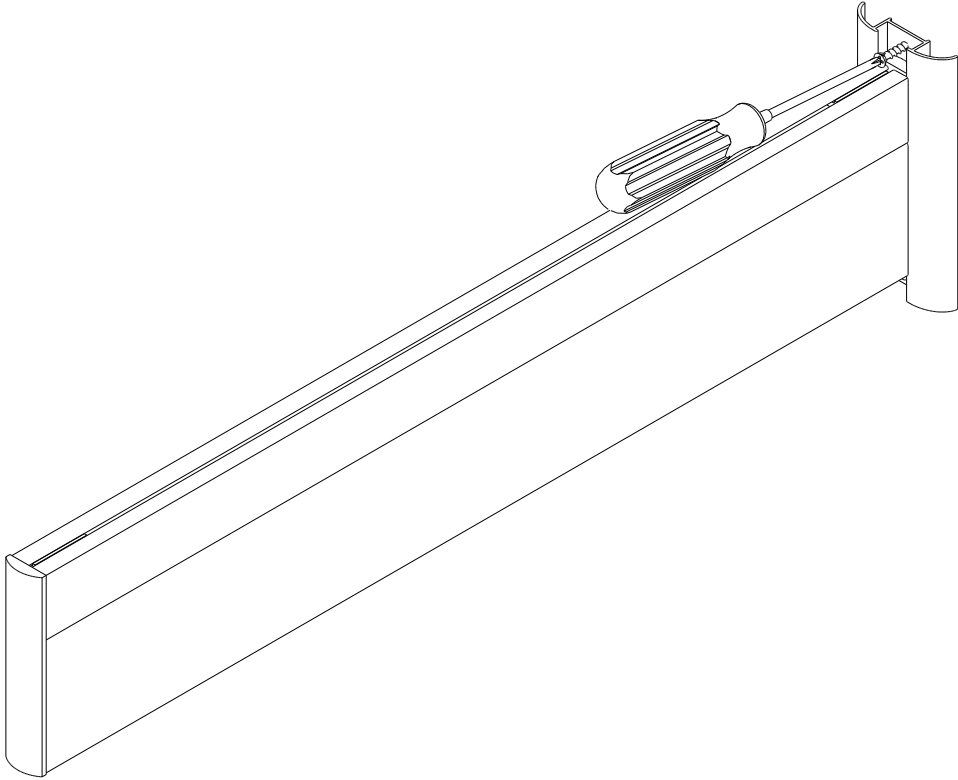
3. The Cap that is sitting out by 1.5mm on the slats will slide onto the Projecting Base Extrusion leaving 12mm either side.



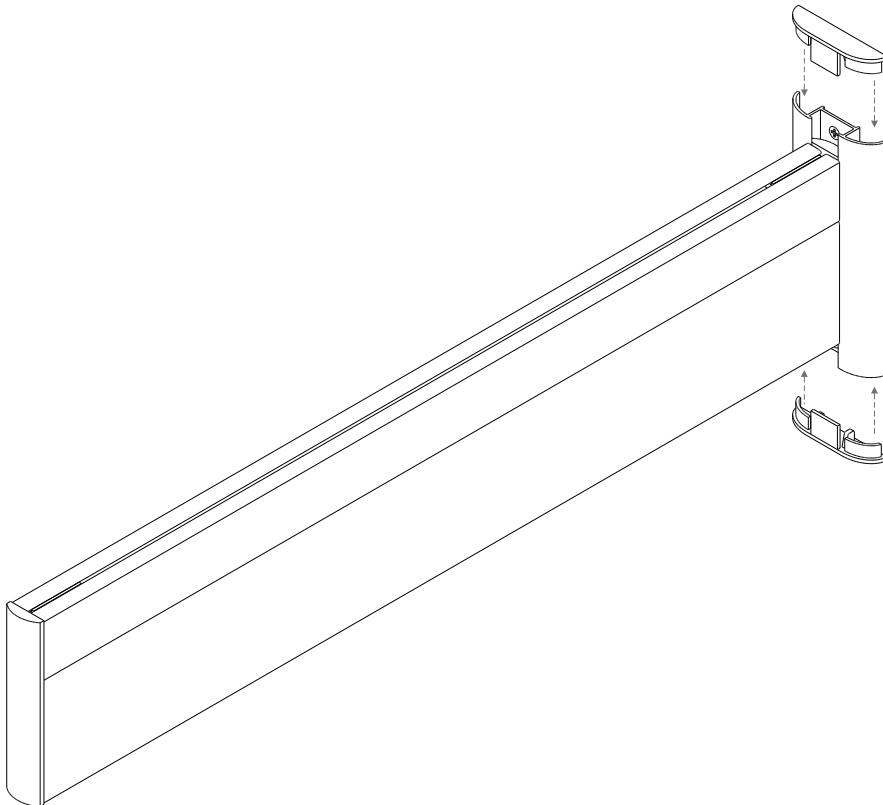
4. Drill the holes for mounting to the wall.



5. Screw the Projecting k'nect sign to the wall top and bottom. (Use a Spirit level to make sure the sign is straight)



6. Slide the Projecting Base End Caps on the top and bottom of the Base Extrusion.



7. The install is complete.

