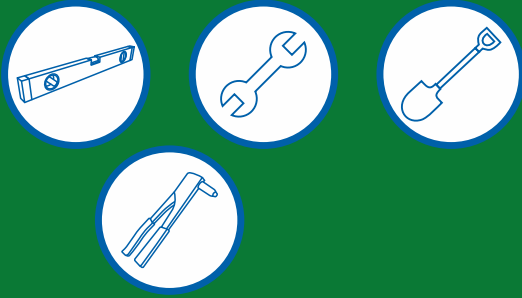


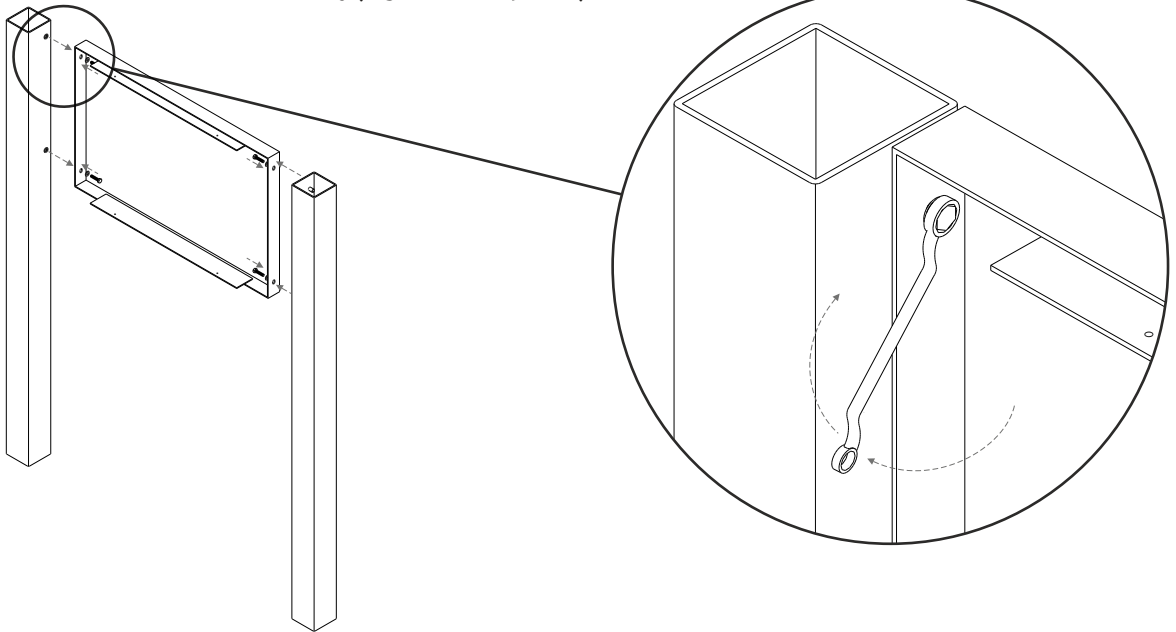
### Tools Required



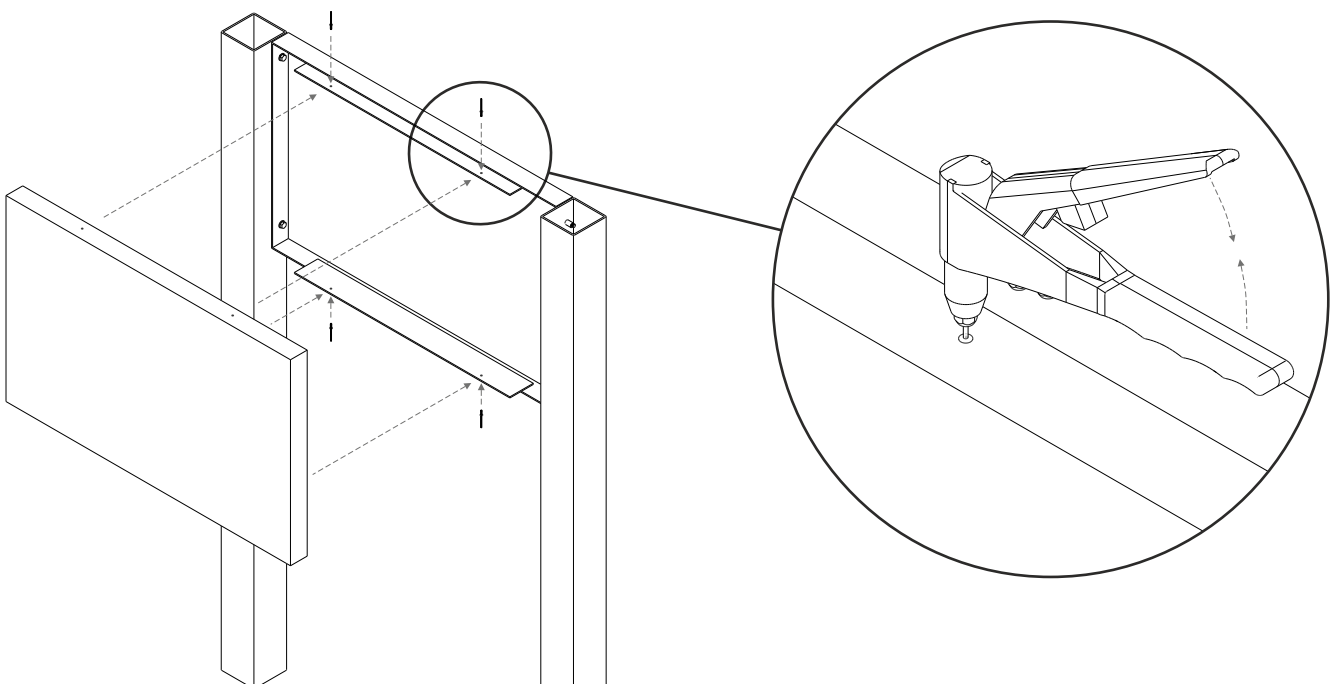
# DOUBLE SIDED PLAZA SIGN

## Assembling & Mounting

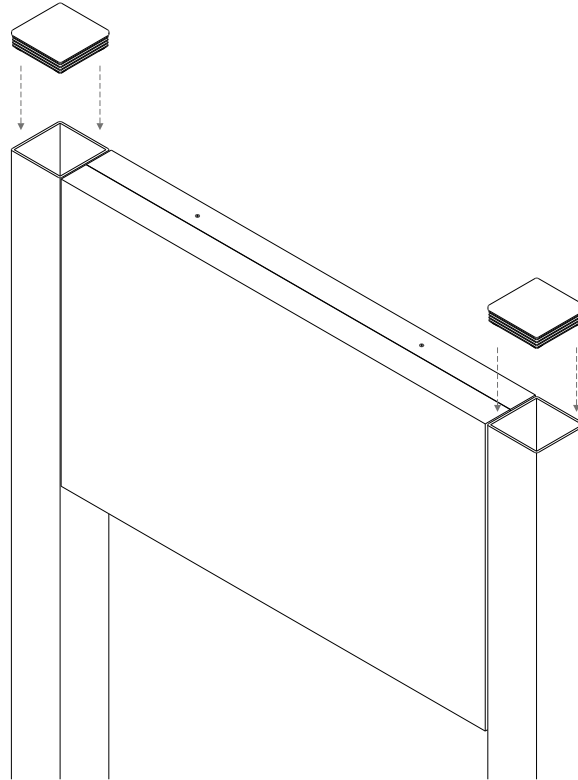
1. Place the Post either side of the Tray (Nut inserts match up with Holes in the tray)  
Use the bolts and washers to connect the Posts to the Tray ( Tighten with a spanner ) .



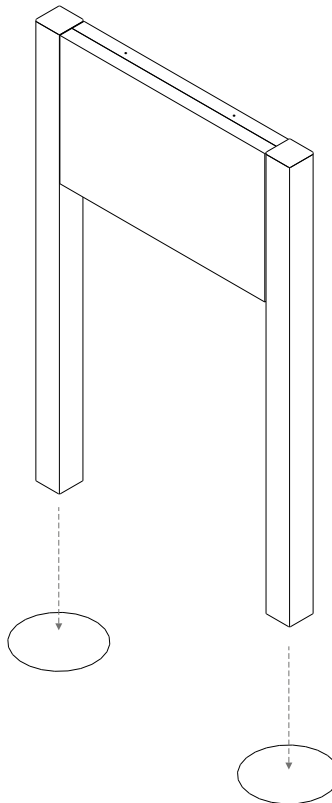
2. Slot the Back Tray over the flex plates, then drill and rivet the tray in place.



3. Slot the Post caps in the top of the posts.



4. Dig holes and mount your posts in position required for your signage. (Please see website for further instructions).



5. Your Single Sided Plaza Sign is complete.

