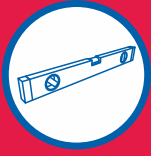


Tools Required

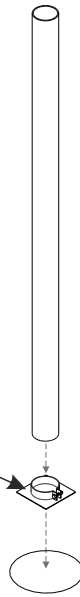


DOUBLE SIDED END MOUNTED SIGN

Assembling & Mounting

1. Dig holes and mount your posts in position required for your signage. (Please see website for further instructions)

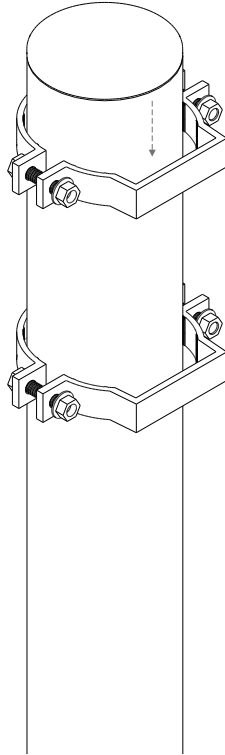
Steel Baseplates Recommended for stopping rotation when using round posts



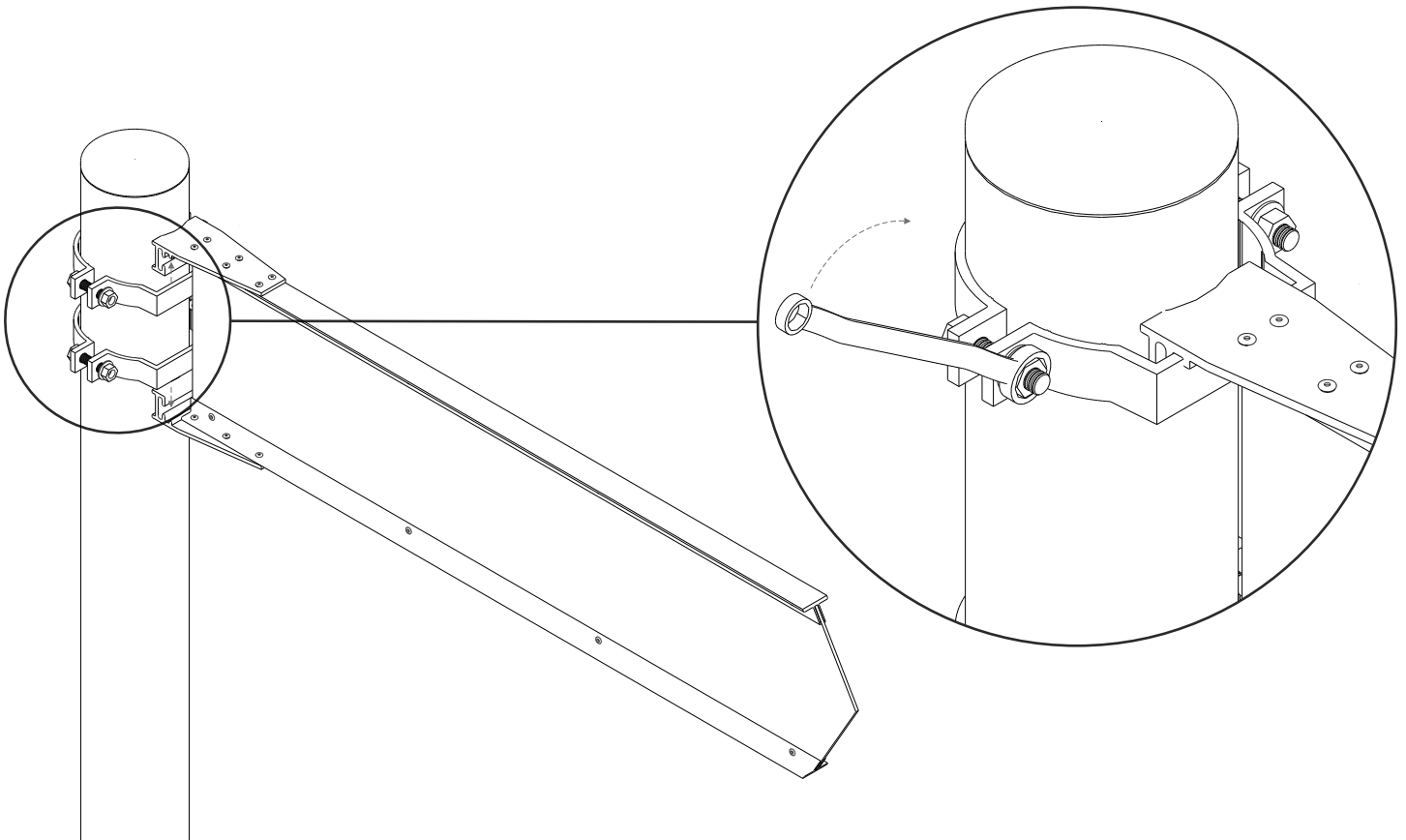
2. Place Your Caps or Finials to the top of your posts.



3. Slide the uni-clamps over the post and keep them loose until Sign is in place.



4. Place the Sign against the post (as diagram) and slot the uni-clamps behind the offset bracket, then you can tighten the bolts on the uni-clamps.



5. The Sign is now complete.

