

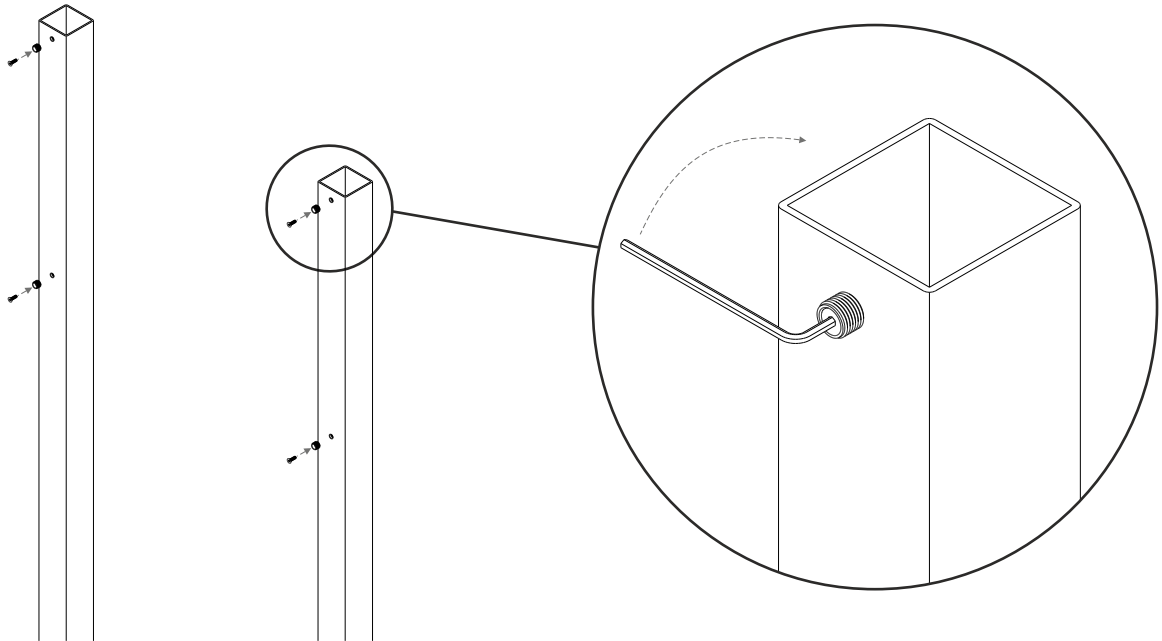
Tools Required



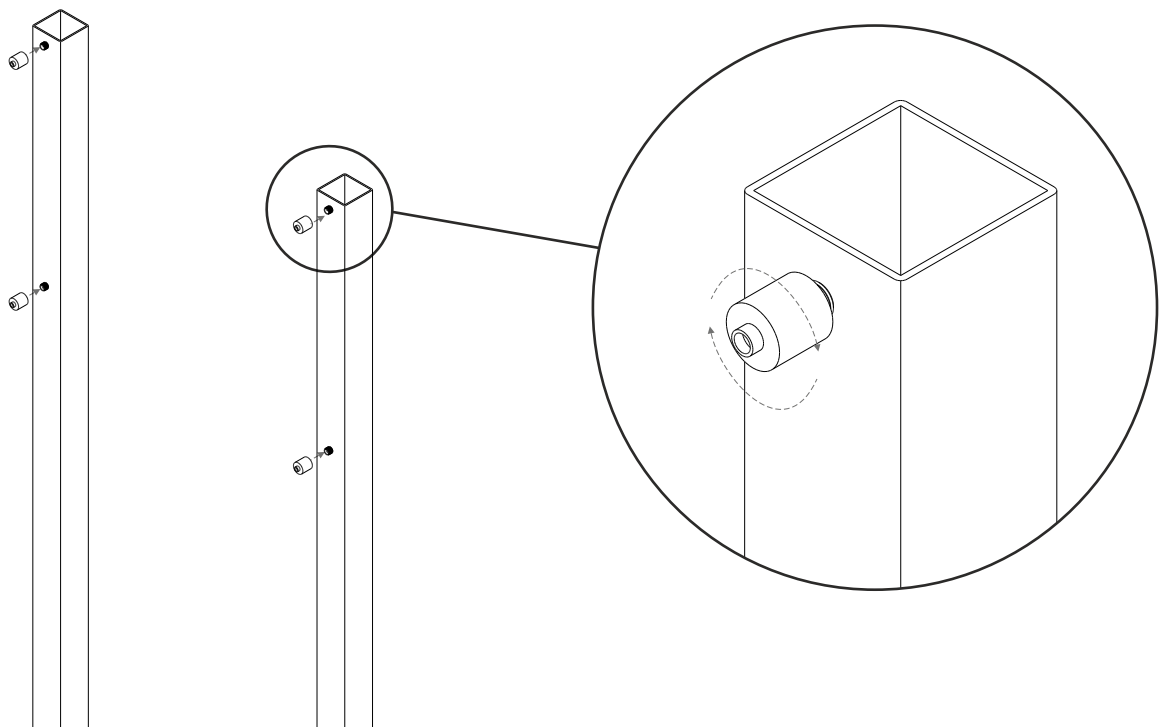
# CORNICHE GLASS EFFECT PANEL & POST (SINGLE SIDED)

## Assembling & Mounting

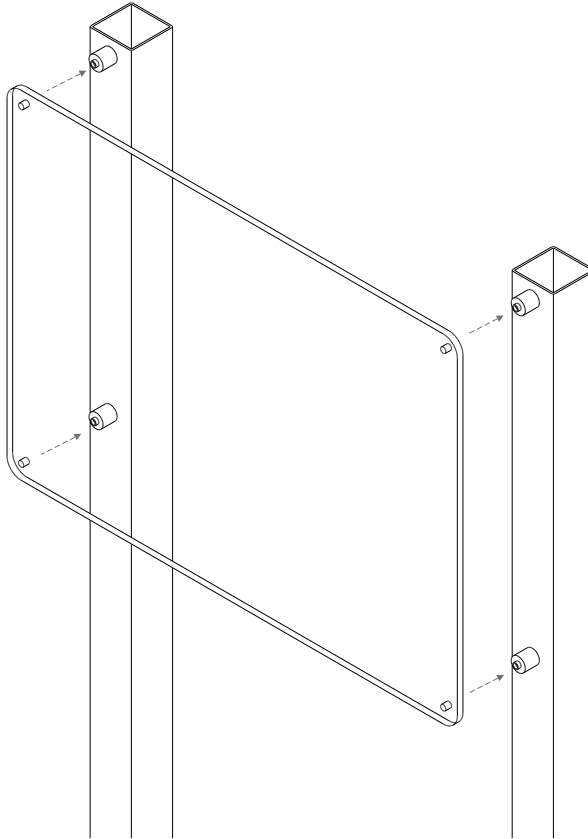
1. Screw the Back Section of the Stand off Connector to the Posts (C/W M6 Nut Inserts)



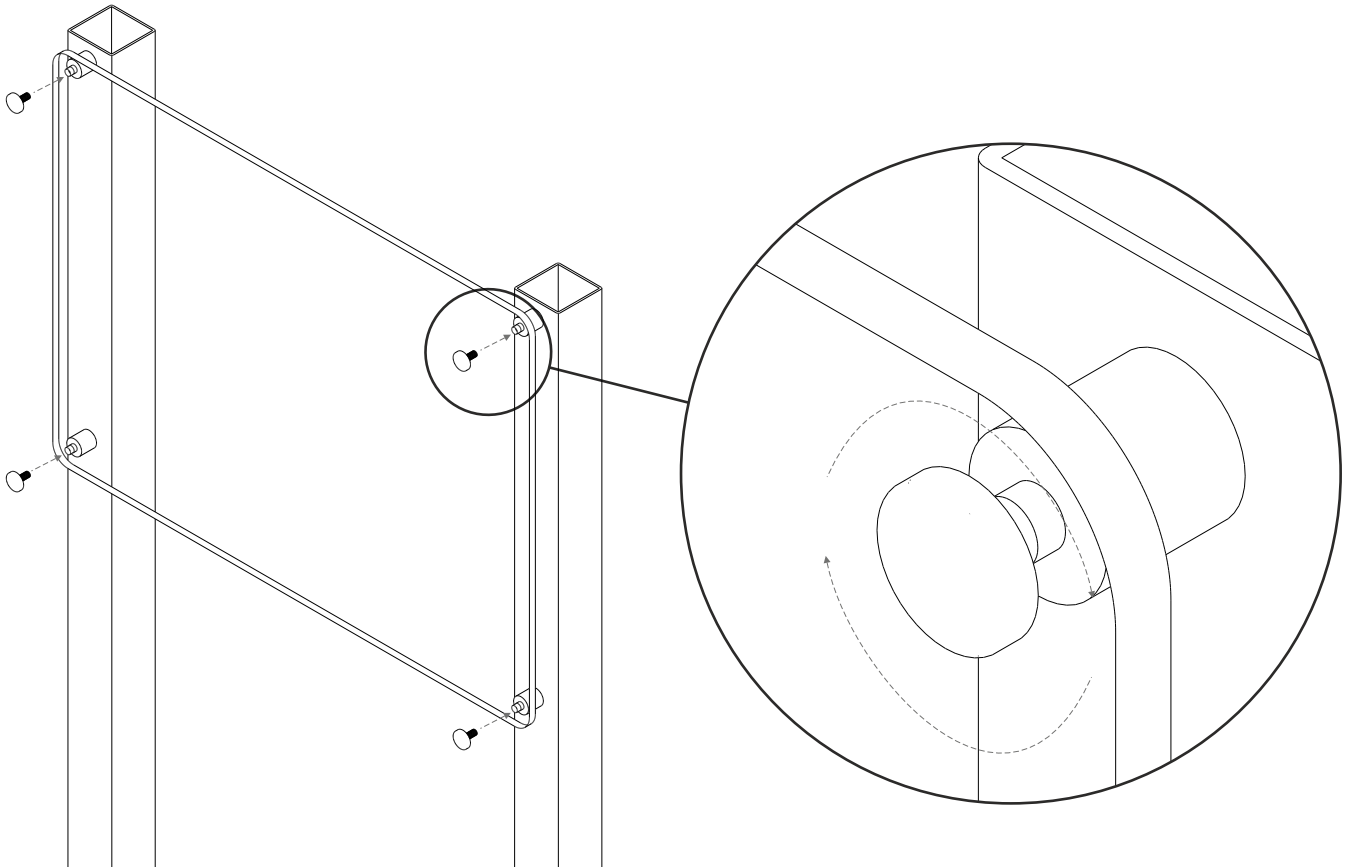
2. Screw the Middle Section of the Stand off Connector to the Back section by hand.



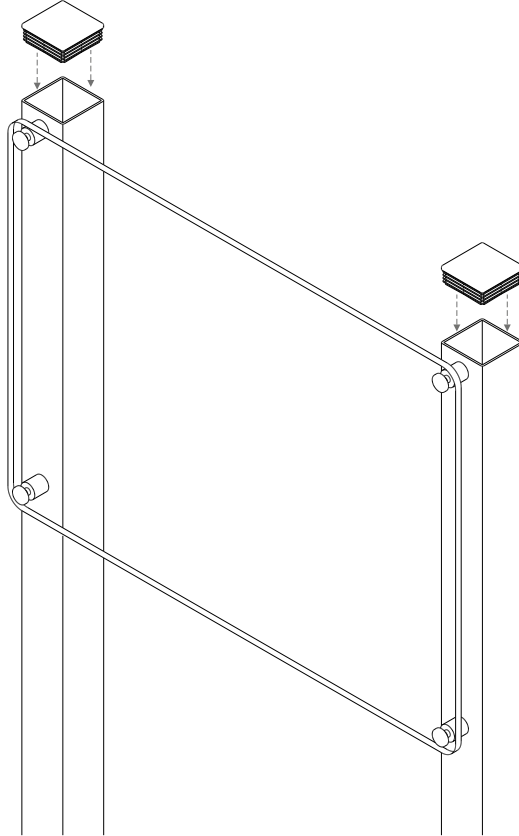
3. Slot the acrylic panel (with holes) onto the Middle Section of the Stand off Connector



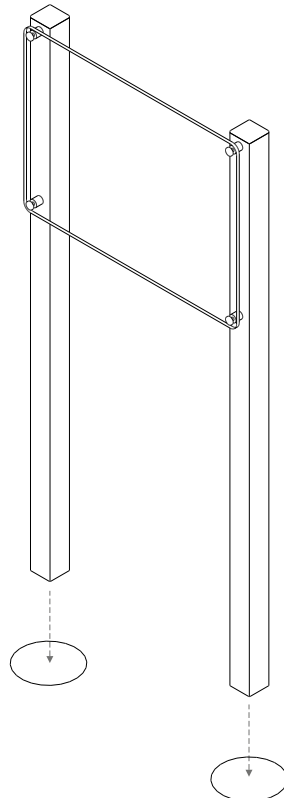
4. Screw the Front Section of the Stand off Connector through the holes to secure the acrylic panel into place.



5. Insert Caps or Finials (Optional) on the top of the posts.



6. Now you can mount your signage into the ground. (No Steel baseplates required on square posts).  
The Corniche Post mounted sign is best mounted complete to make sure the post are in the correct position for the Locators.  
(Please see website for further instructions)



7. The Sign is now complete

