

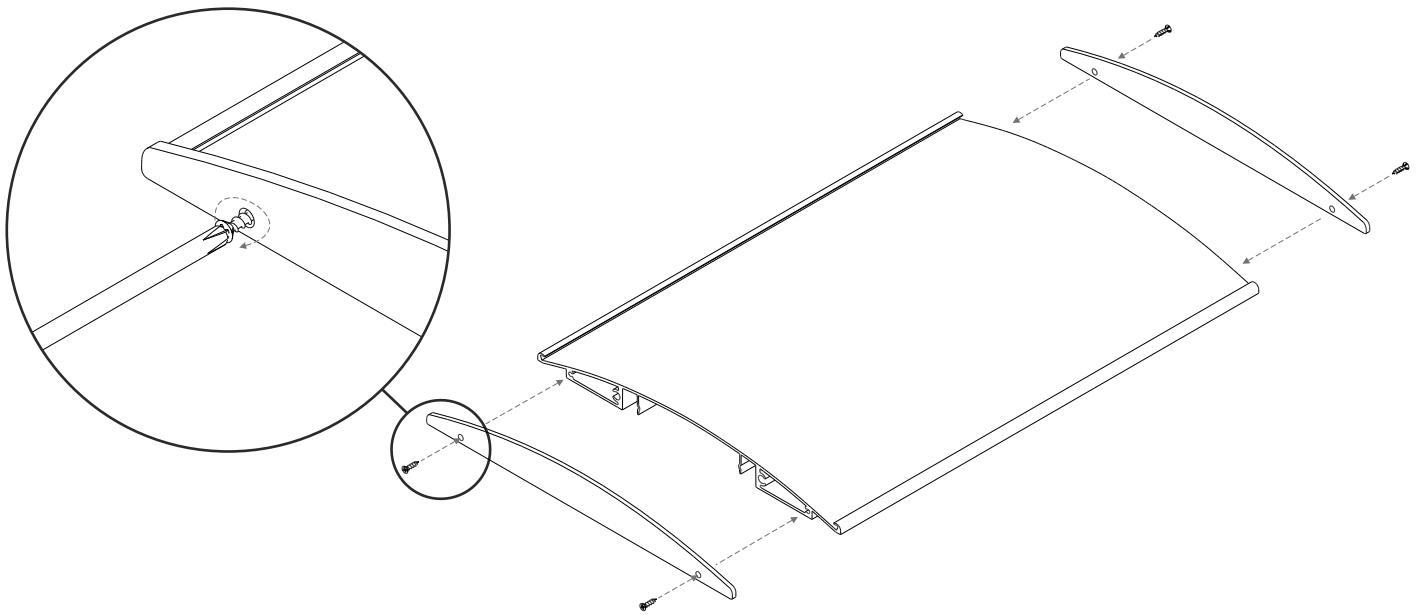
Tools Required



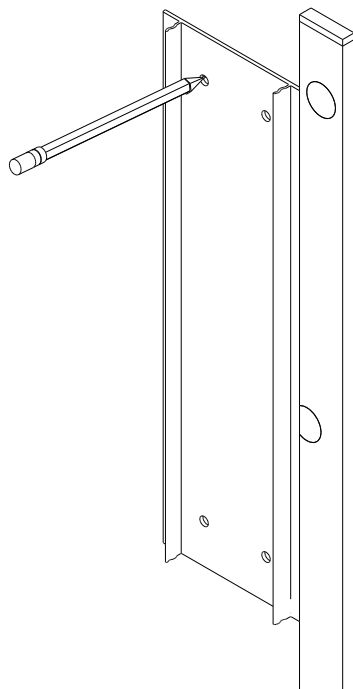
ARCHITECH WALL MOUNTED

Assembling & Mounting

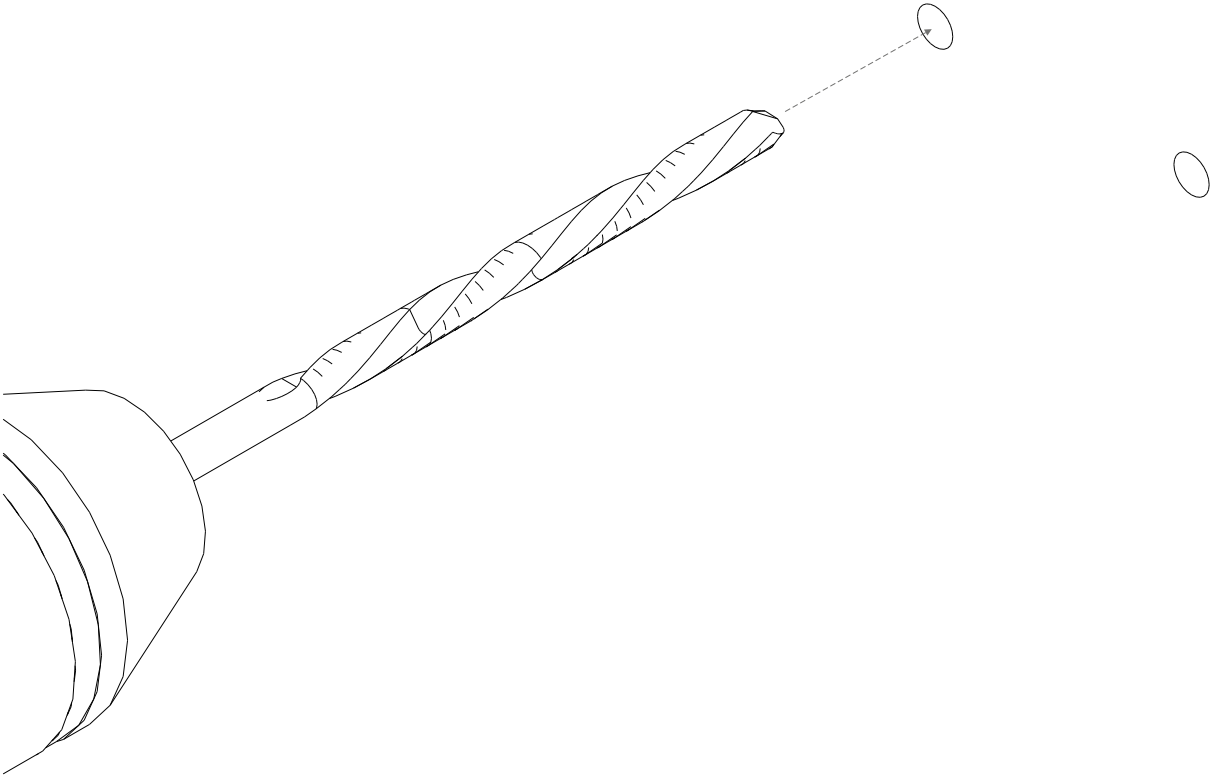
1. Screw the caps into place Top and Bottom.



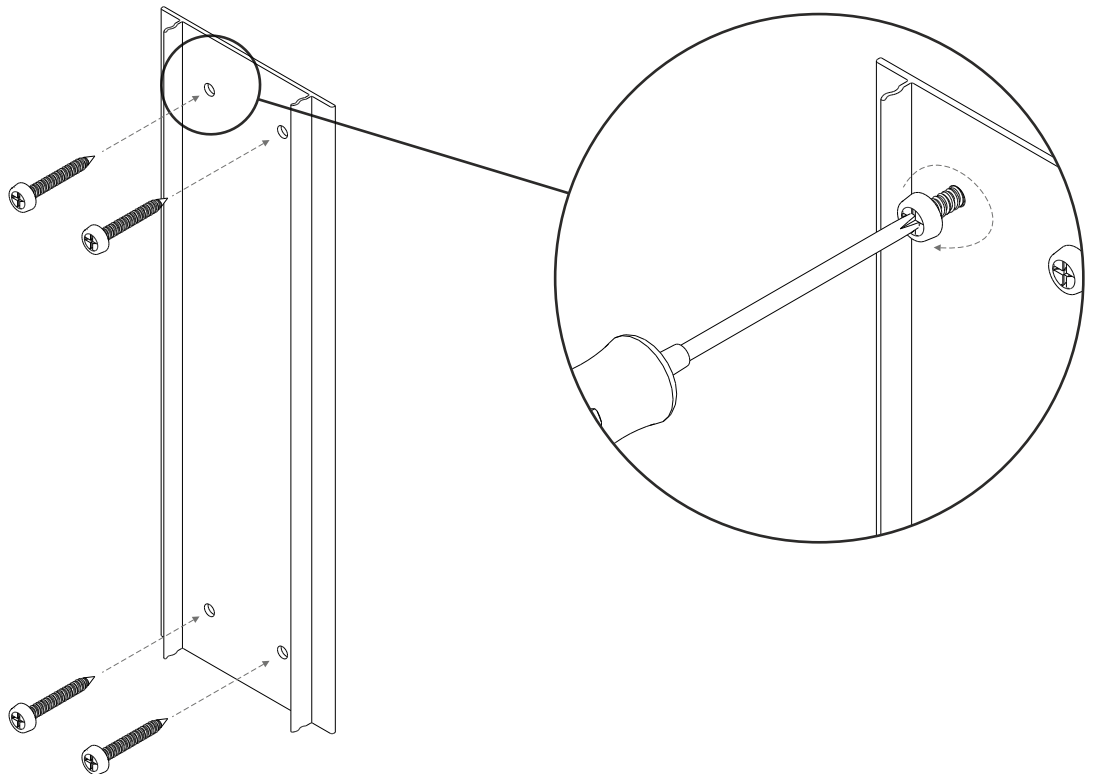
2. Place the Back plate in position on the wall, then mark the hole positions.



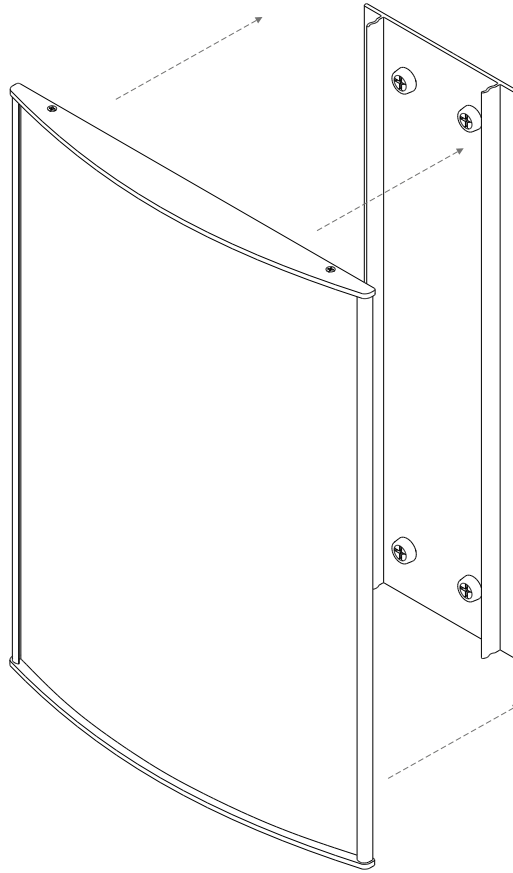
3. Drill the holes (insert wall plugs if required)



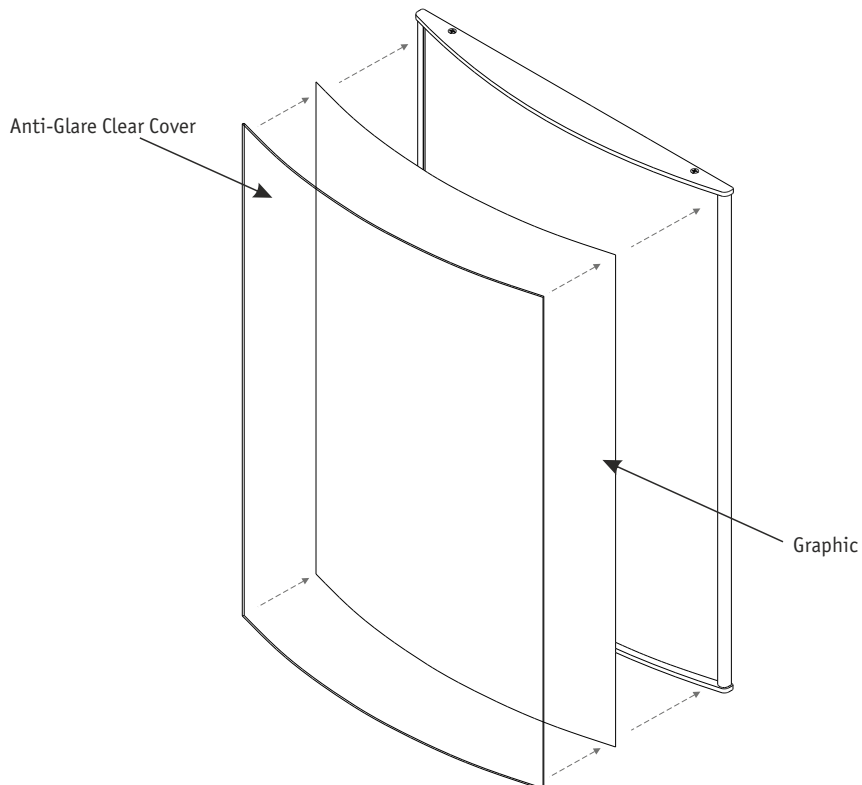
4. Screw the Back plate to the wall.



5. Slot the Main Fascia over the backing plate.



6. Insert your Graphics and place the Anti-Glare Cover over the top.



7. The Sign is now complete

