

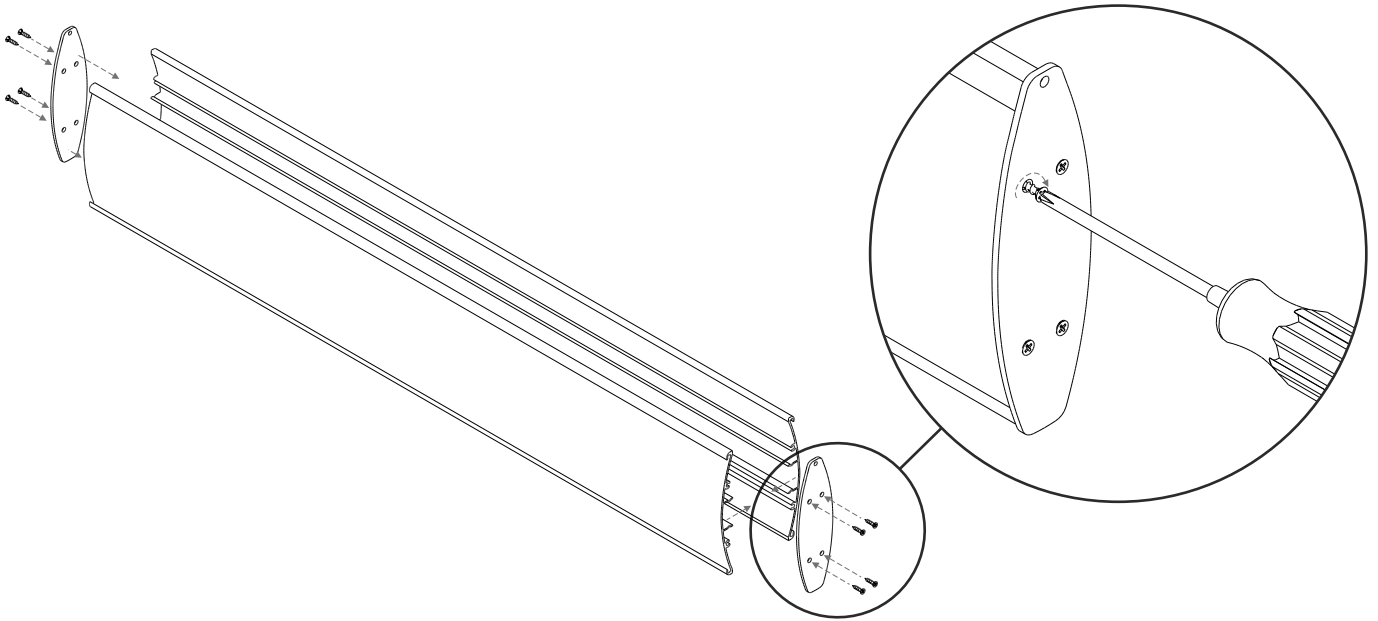
Tools Required



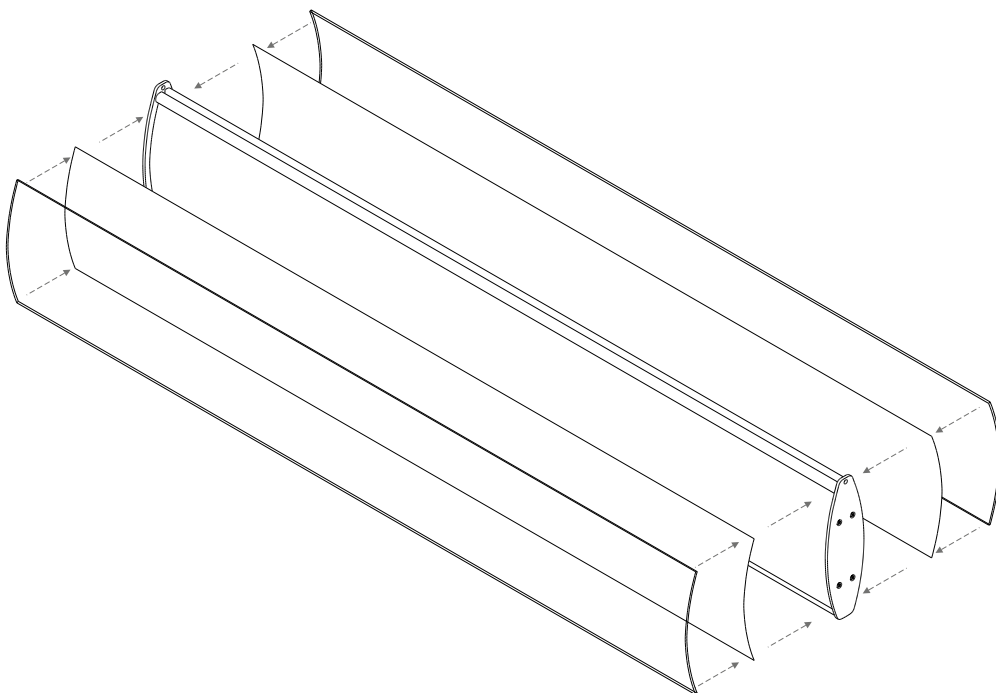
ARCHITECH SUSPENDED

Assembling & Mounting

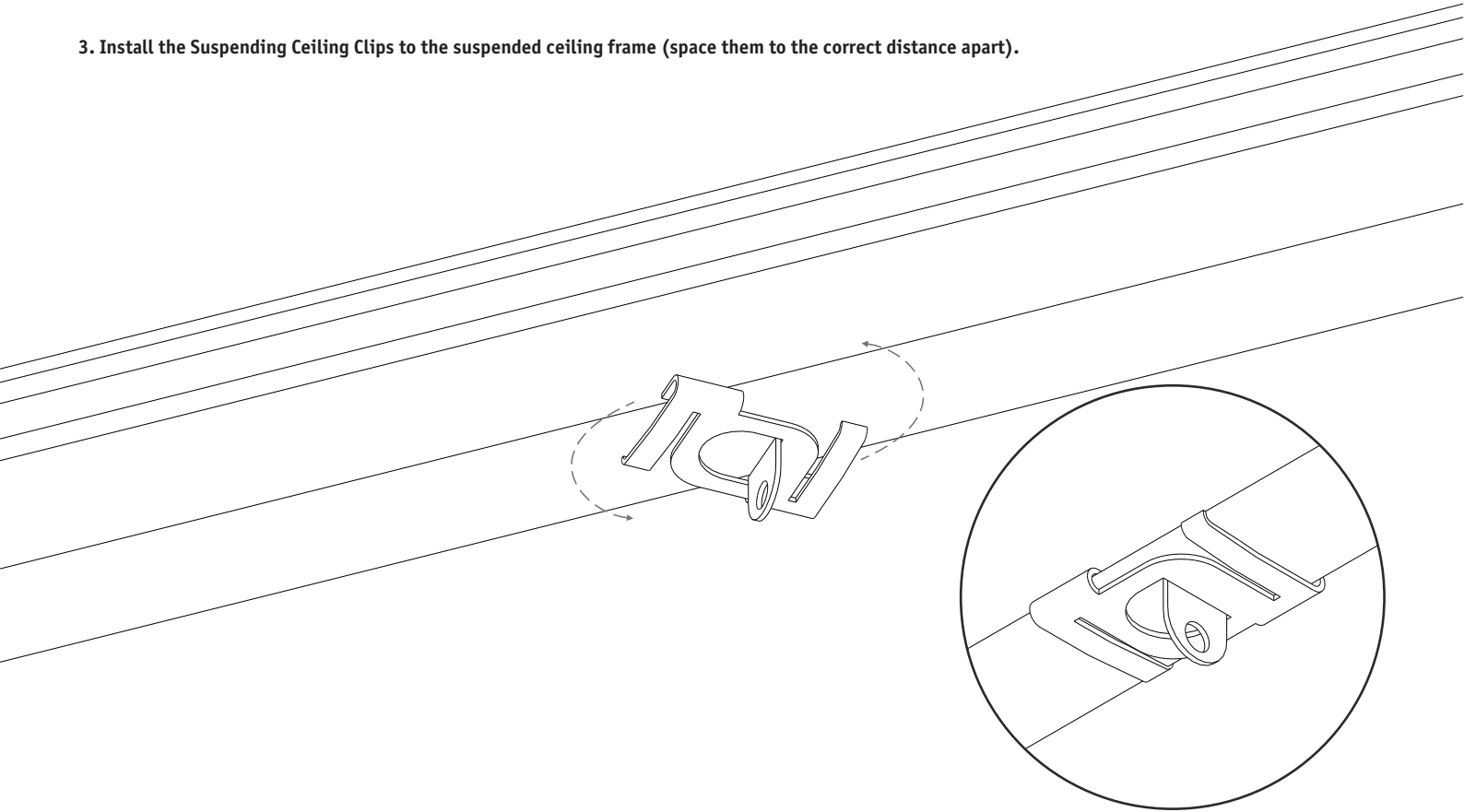
1. Place the Main Extrusions Back to Back and screw the Caps on both ends.



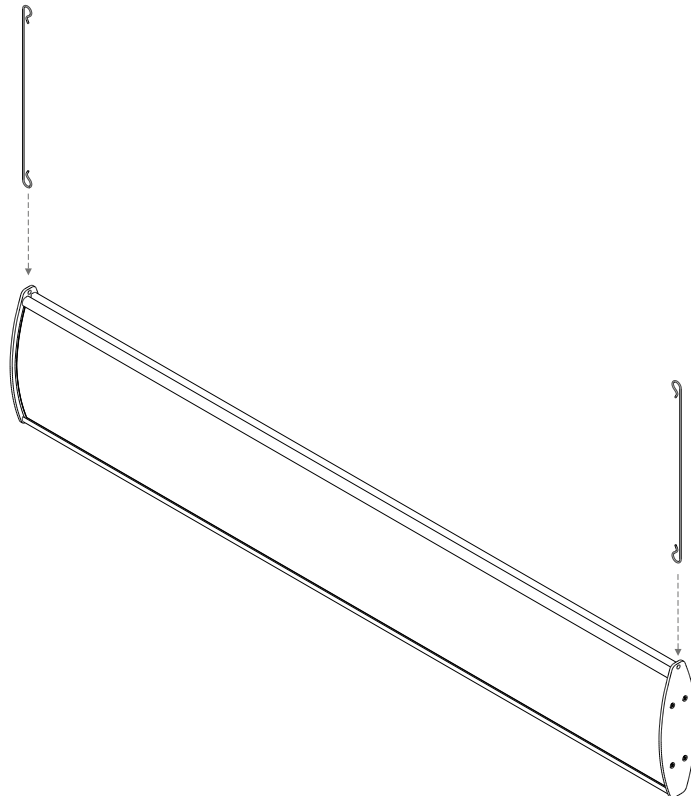
2. Insert your graphics and place the Anti-Glare cover over the top of the Graphics.



3. Install the Suspending Ceiling Clips to the suspended ceiling frame (space them to the correct distance apart).



4. Connect the suspending hooks to the holes in the end caps.



5. Attach the suspending hooks to the suspending ceiling clips and your sign is fitted.

