

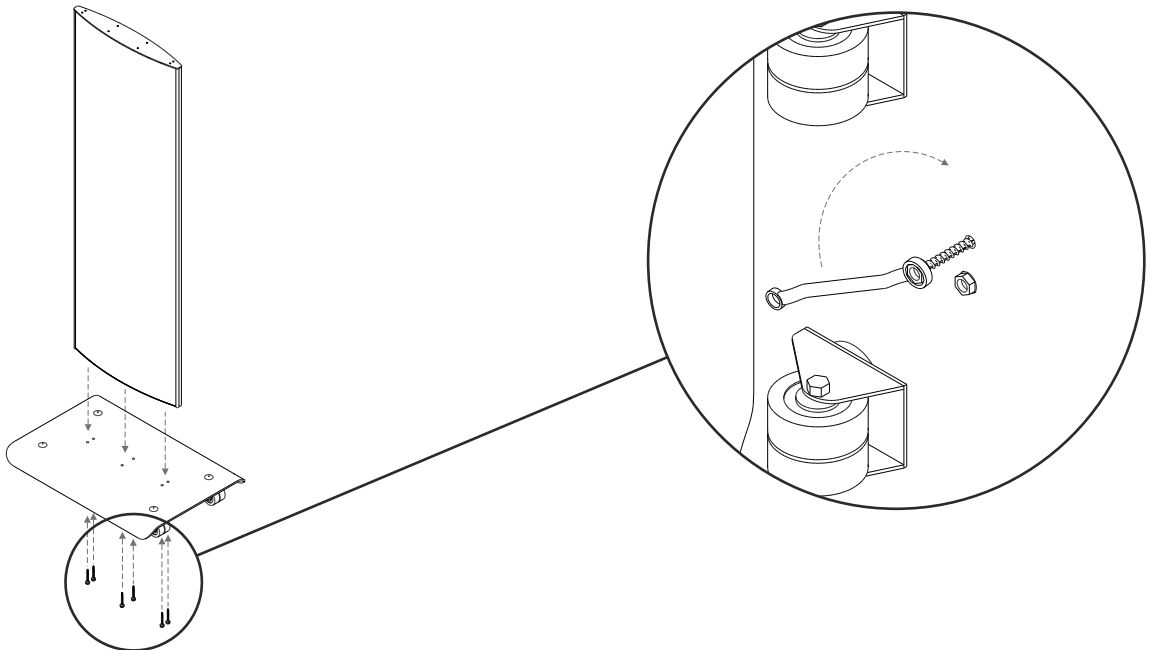
Tools Required



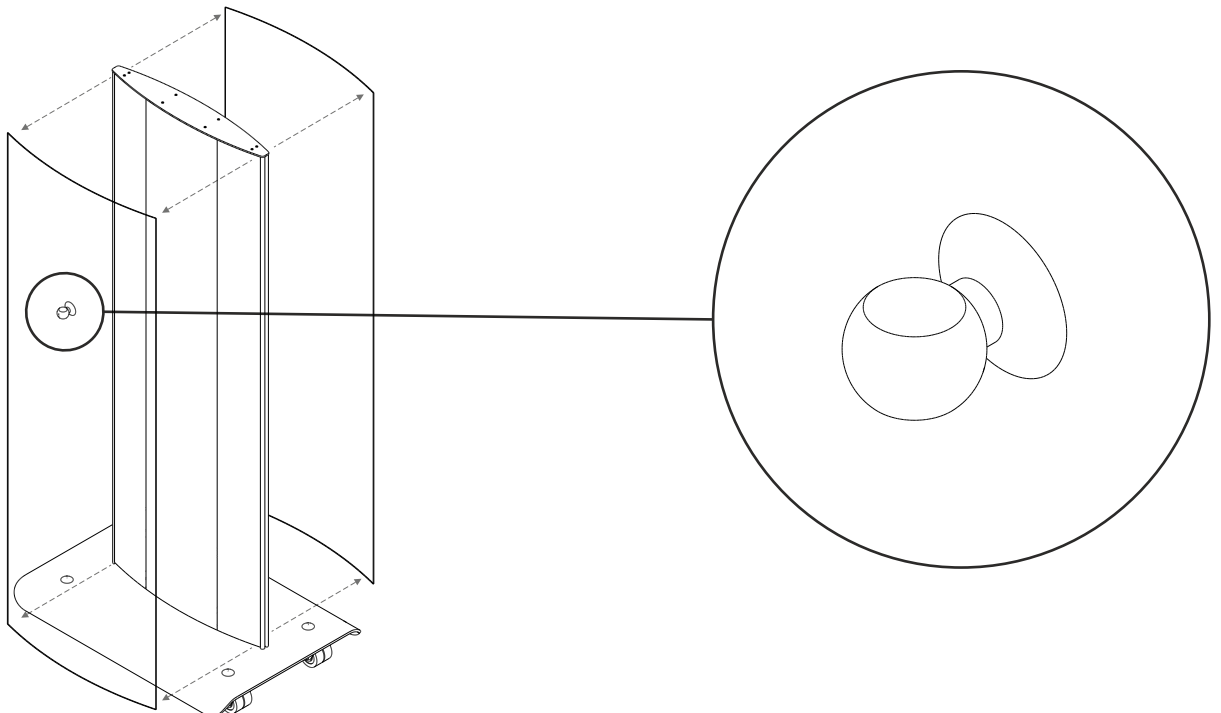
ARCHITECH MOBILE TOTEM

Assembling & Mounting

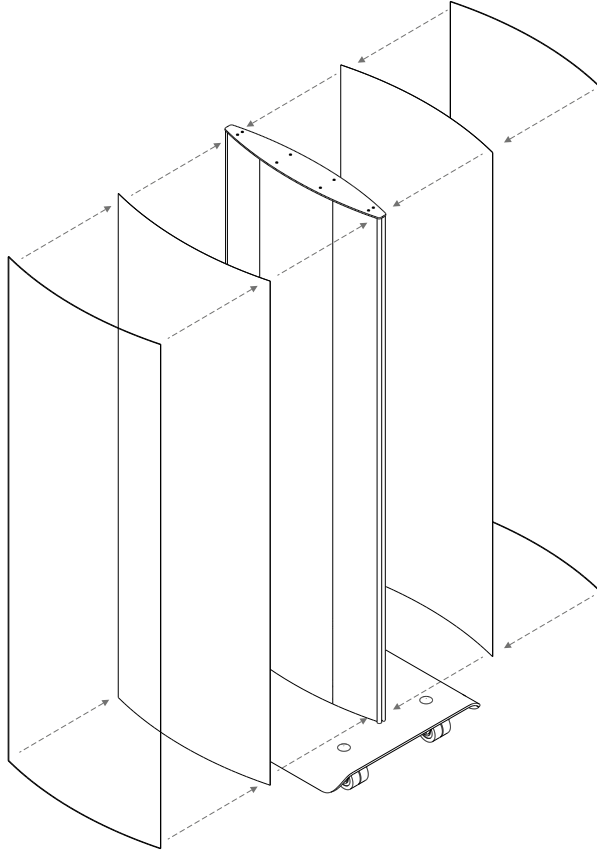
1. Place the Pre built Double sided Architech Extrusion section onto the Mobile Totem Baseplate.
Then fix the extrusion to the baseplate using the Hex drive set screws.



2. Remove the acrylic covers using the Ashby sucker Accessory.



3. Place your media (Paper or Printed vinyl insert) onto both sides of the Architech extrusion and then install the acrylic cover back into place.



4. Your Architech Mobile Totem is now complete.

