

## Double Sided Rollerbead Box

Manufactured in house, Rollerbead Lightbox is an extruded aluminium system capable of loading acrylic from the front using a unique design of beading that enables the user to adjust the beading so as to allow for easy access for installation and maintenance.

Coupled with its seamless curved front, Rollerbead Lightbox stands out as an ideal solution to economical illuminated fascia.

Best suited for situations where space is restricted and side installation of substrates is difficult.

Rollerbead Double Sided Lightbox is suitable for; projecting, suspended or post mounted double-sided applications where media needs to be displayed in two directions.

- T8HE Illumination
- LED module illumination

Pre-manufactured gear trays bespoke manufactured speed service that Ashby offers across the entire range of sign product.



### Extrusion profile

170mm

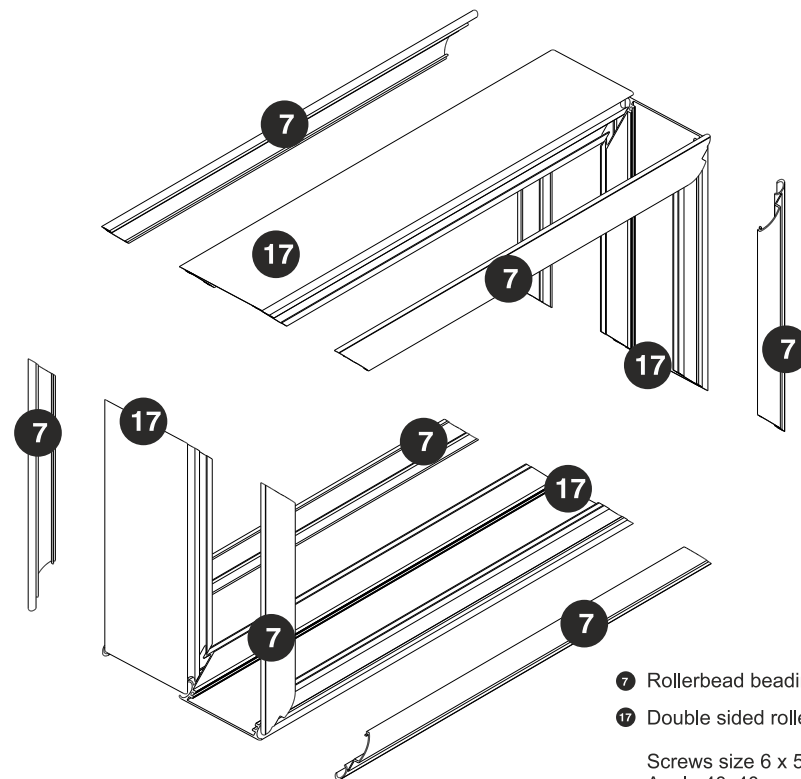
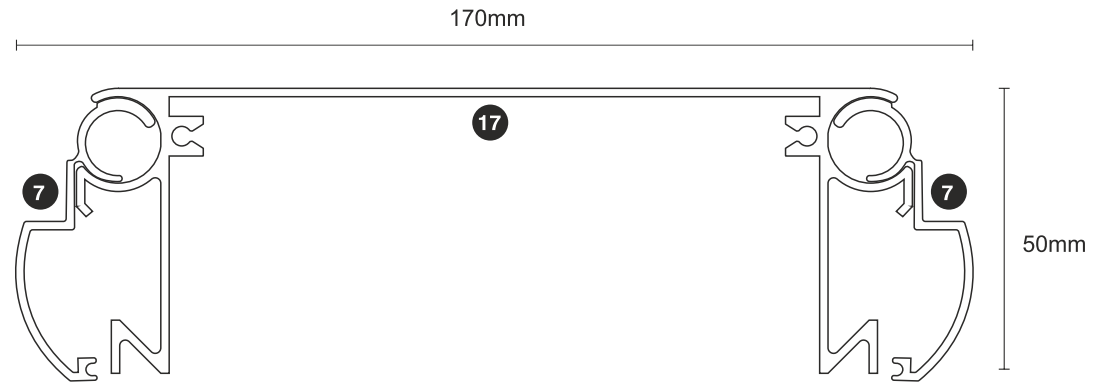
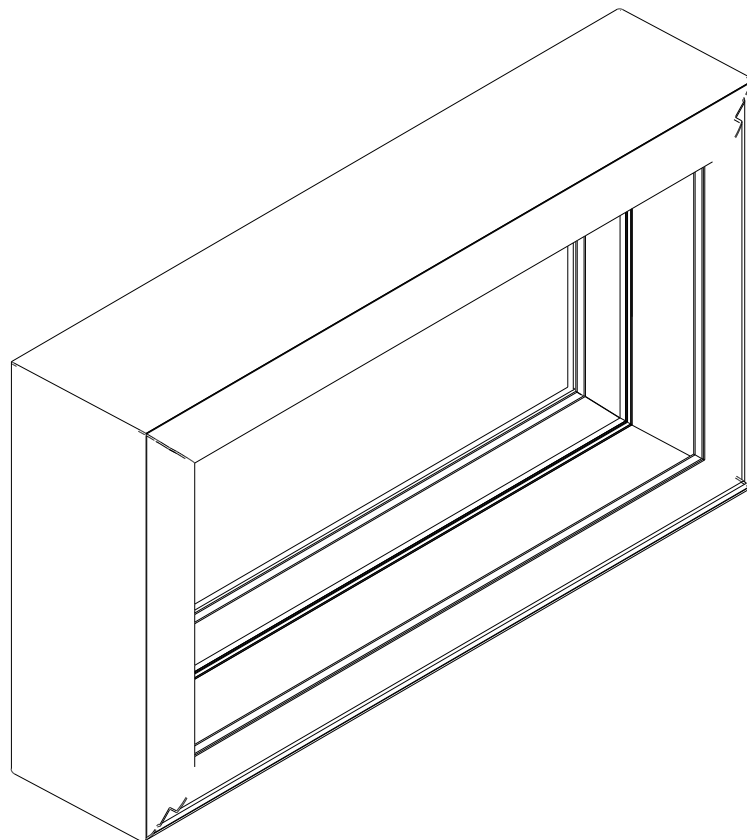


## COMPONENTS

There are many parts that make up a Lightbox all of which have been outlined on this page.

Opposite is a cross section of Lightbox with the different mounting styles of illumination; tube and LED.

Below is an exploded drawing of the components and how the unit fits together and in the bottom right hand corner an explanation of the different mounting styles of Rollerbead Lightbox.



- ⑦ Rollerbead beading
- ⑰ Double sided rollerbead box

Screws size 6 x 5/8" A2 counter sunk  
 Angle 40x40mm @ 115mm long  
 Rivets 4,8mm x 12mm counter sunk

## LIGHTING SPECIFICATIONS

### GEAR TRAYS

<b>Base</b>	The base of the gear tray is made of 0.6mm bright spangled galvanised steel
<b>Chokes</b>	All gear trays utilise the Tridonic Atco EC compact ballast. The unit has a TW rating of 130°C. Certified: EN 60920/921 – CELMA class (EE1=B2) specification for switch start.
<b>Cables</b>	Both single and twin cables (lamp lead) are 0.8mm solid conductor with a 105-degree maximum rating. Cable is high temperature PVC T13 insulated: BS7655
<b>Starter Switches</b>	Standard Phillips Osram/EFA (S2, ST11, FS125) glow starter BS60155
<b>Lamp Holder/Starter Holders</b>	Lamp holders and starter holders are made of a polycarbonate material; 1-amp holders are a shrouded push on design with push wire terminations. Starter holders are snap in type with push wire terminations. Lamp holder/starter holder to: EN60400/EN6702
<b>Capacitors</b>	These have a flame-retardant plastic case mounted to the base by a blip clip snap-in fixing. Inside is a metallised polypropylene film. Cable connection is by a wire grip connector complete with a discharge resistor. Operating temperature range -25° to 85°C max: EN61048/61049
<b>Fused Terminal Blocks</b>	Fuse block is manufactured from polycarbonate. Main connection is by way of screw termination. Fuse carrier utilises a BS1362 fuse. Standard: EN60598-1 <ul style="list-style-type: none"><li>● IP Rating – IP20</li><li>● All Gear trays are CE approved</li><li>● Tridonic magnetic chokes – standard 3 year warranty</li><li>● All other components are guaranteed for 12 months</li></ul>

### IMPORTANT

Tubes are stocked in 2', 3', 4', 5' and 6'. When tube illuminating, tubes are supplied as a multiple thereof. Gear trays are stocked; Single, Double and Triple Fused in all the following wattage:

- 18 Watt (2')
- 30 Watt (3')
- 36 Watt (4')
- 58 Watt (5')
- 70 Watt (6')

### LED SPECS

Silicon coated ribbon LED strips are used to offer an alternative means of illumination

- Low voltage
- IP65 rated
- 5050 Surface mounted diodes
- 5000mm continuous length