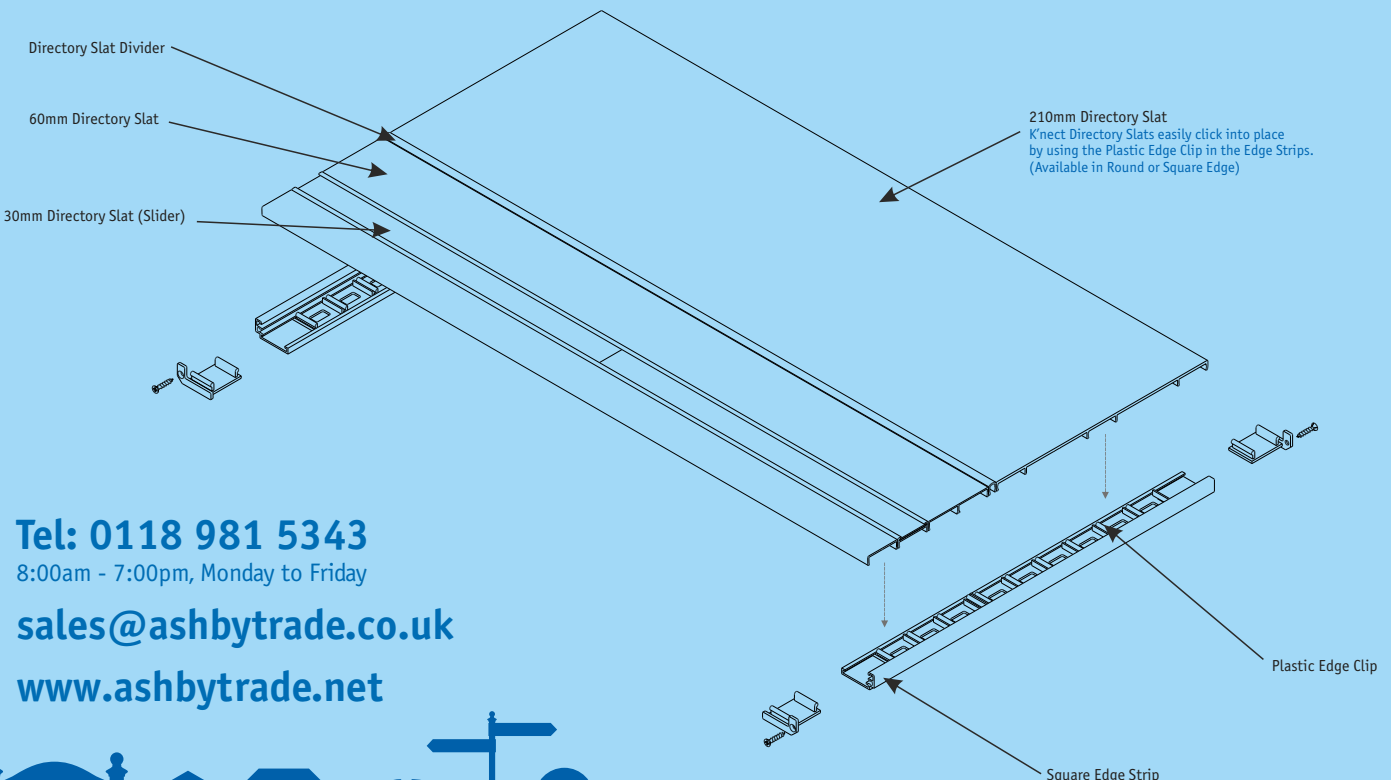
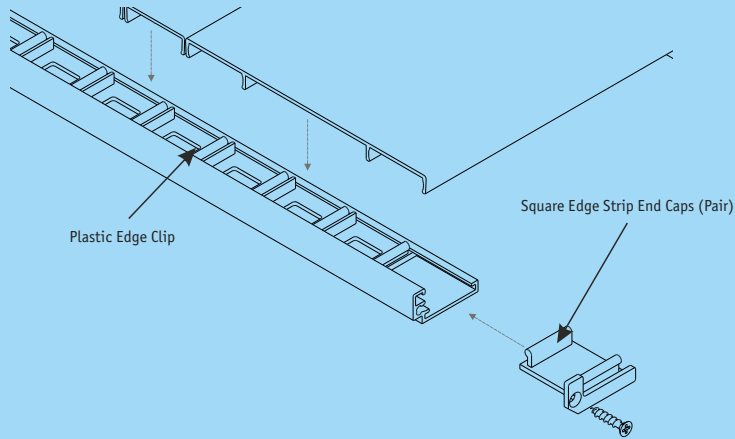
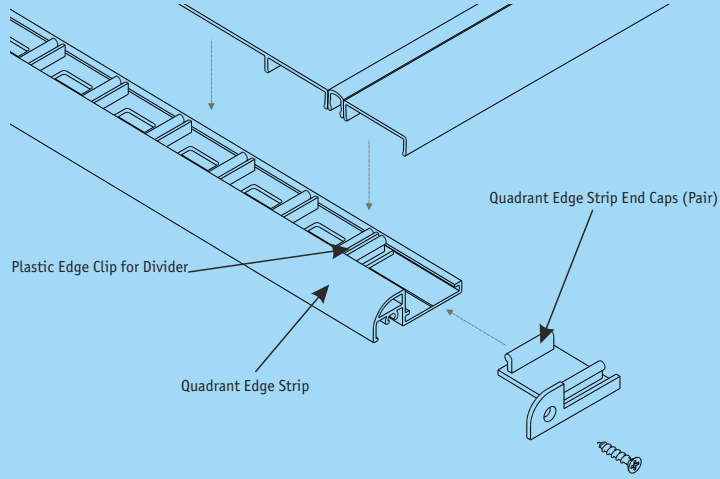


**Easy Build
Wall Mounted Slat system**

- Square or Quadrant Edge Strips available
- 9 different slat face extrusions available. (6 Standard and 3 Slider extrusions)
- Anodised or White (Ral 9016)
Other Colour options available.
- All Caps are Black Plastic
- Directory Slat Dividers and clips available
- Easy click into place system using the Plastic edge clips
- Place the slat faces in any order you require



Tel: 0118 981 5343

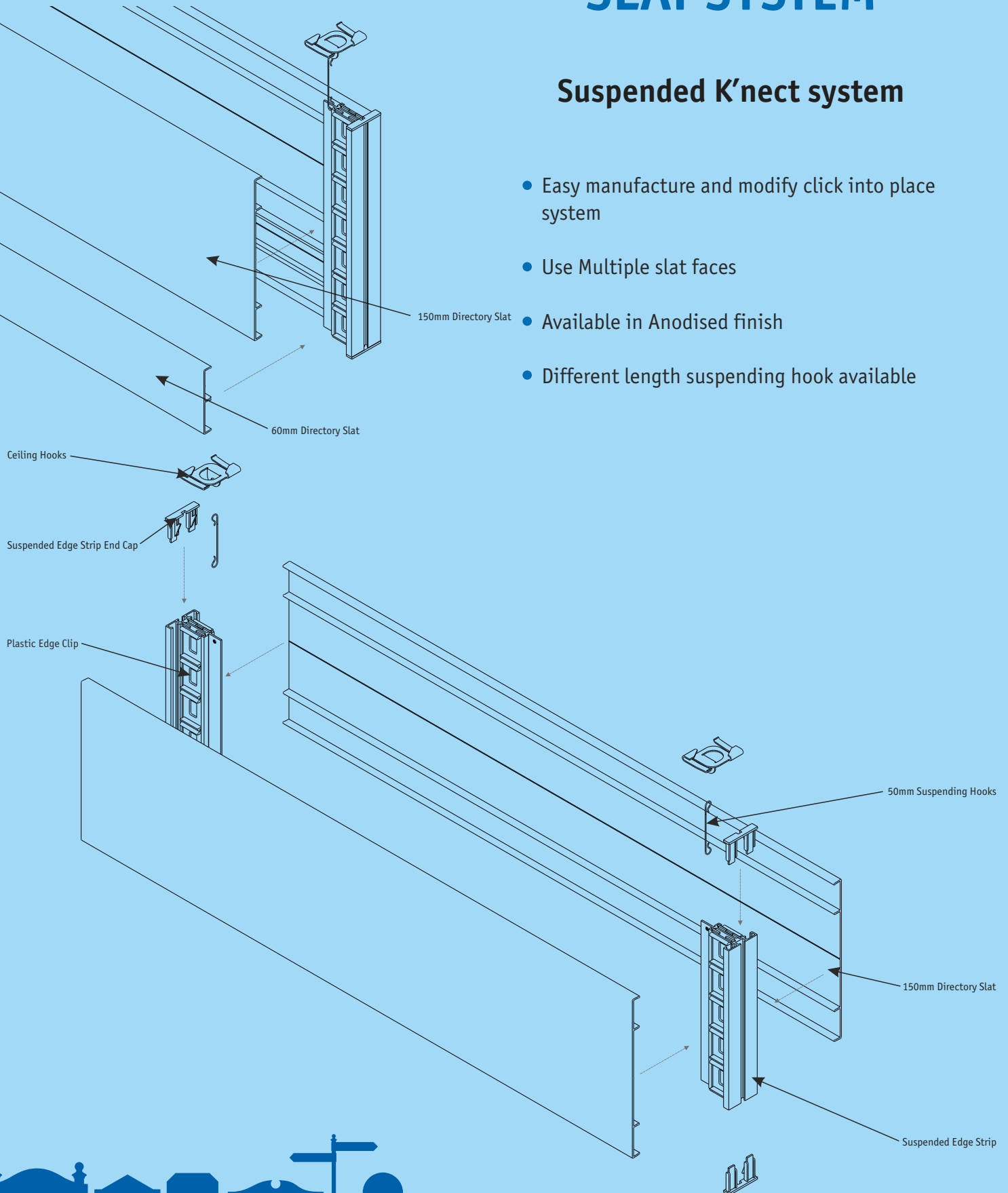
8:00am - 7:00pm, Monday to Friday

sales@ashbytrade.co.uk

www.ashbytrade.net

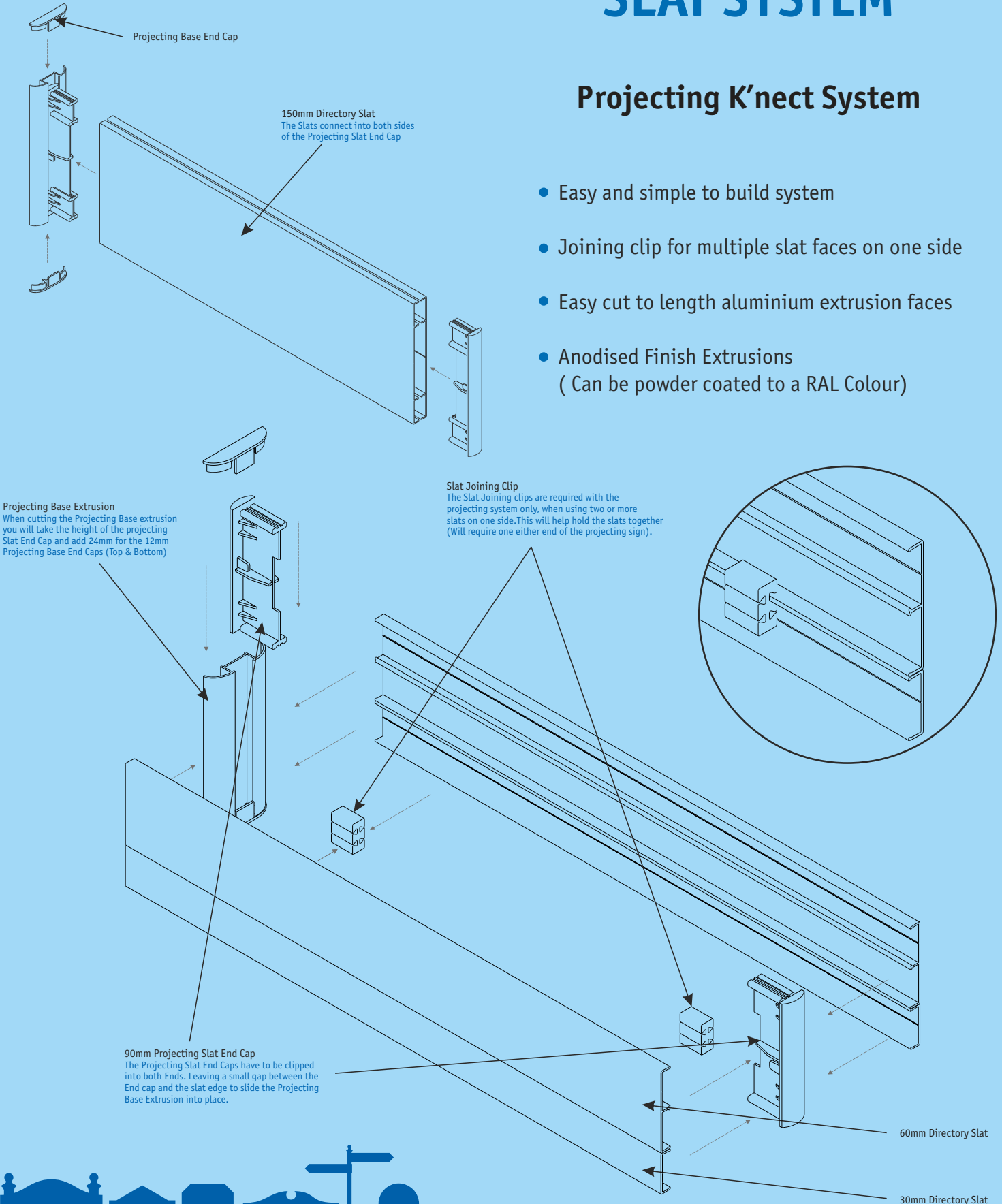
Suspended K'nect system

- Easy manufacture and modify click into place system
- Use Multiple slat faces
- Available in Anodised finish
- Different length suspending hook available

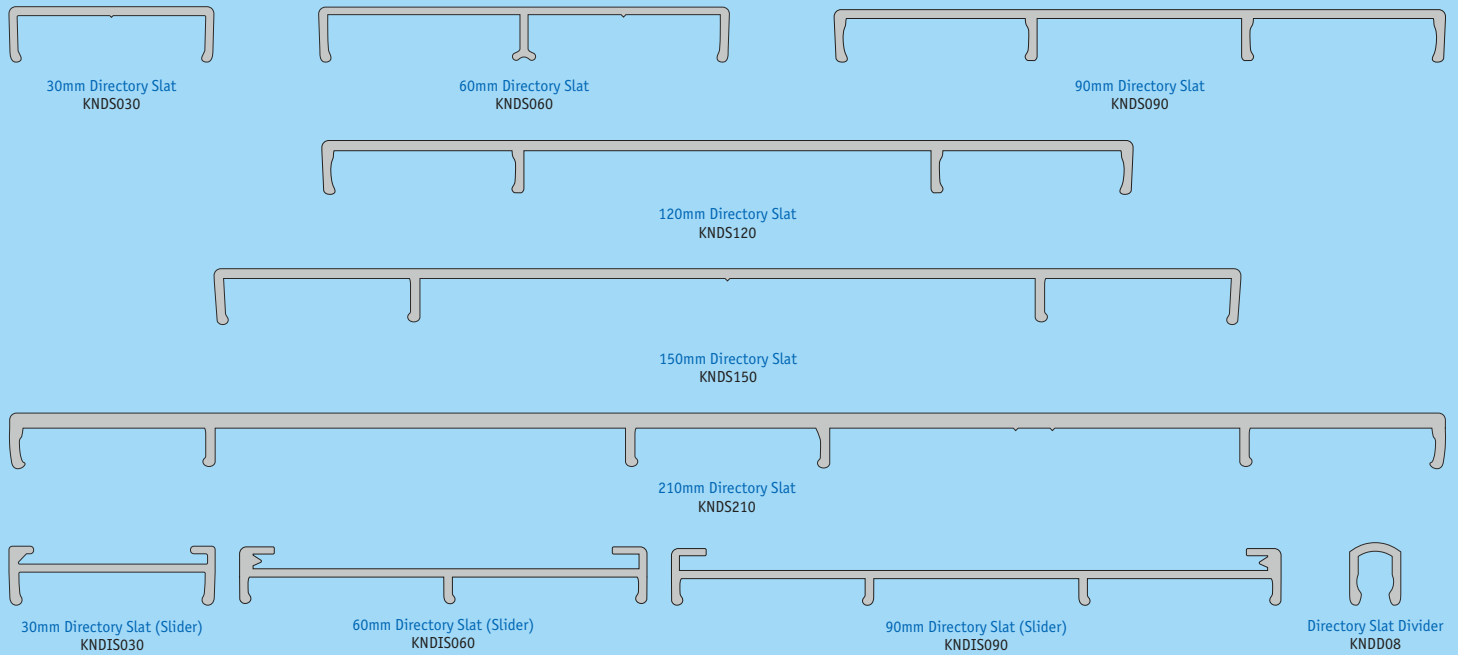


Projecting K'nect System

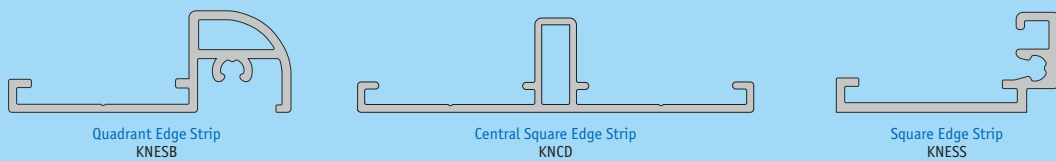
- Easy and simple to build system
- Joining clip for multiple slat faces on one side
- Easy cut to length aluminium extrusion faces
- Anodised Finish Extrusions
(Can be powder coated to a RAL Colour)



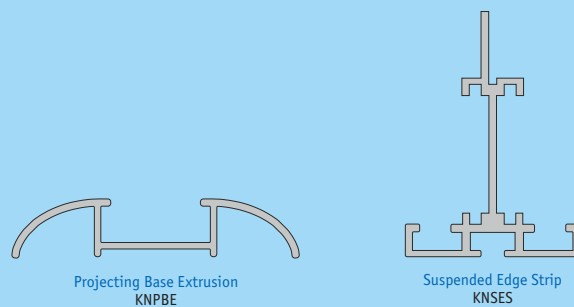
K'nect Slat Face Extrusions



K'nect Wall Side Extrusions



K'nect Suspending & Projecting Extrusions



Competitive Information

Equivalent Products

- Apco Accord
- Spandex Slatz

K'nect Sign System

- Far easier than Slatz to install and maintain
- Cheaper than both Apco Accord & Spandex Slatz (equivalent sizes & specs.)
- Over the phone prices
- Available in component form direct from Ashby
- Can be powder coated
- Greater range of slat sizes
- Increased flexibility and versatility over competitors

Tel: 0118 981 5343

8:00am - 7:00pm, Monday to Friday

sales@ashbytrade.co.uk

www.ashbytrade.net

Features & Benefits

Features

- Slats in 6 widths (30mm increments)
- Snap-fit friction fixing system
- Divider strips (10mm)
- 30mm slider for interchangeable media
- Round or square edge extrusion
- Plastic caps
- Silver anodised/white finish from stock
- Projecting/suspending/wall mounted variations

Benefits

- Sleek, slim line appearance
- Easy end user media/slat changing (no tooling required)
- Cheaper than spandex slatz/apco accord
- If bought in component form, only tooling require is a saw + screwdriver
- Mountable on uneven surfaces
- Available on a next day delivery (stock items)
- Enables consistent signage throughout a site (suspending/projecting in same finish etc)

Tel: 0118 981 5343

8:00am - 7:00pm, Monday to Friday

sales@ashbytrade.co.uk

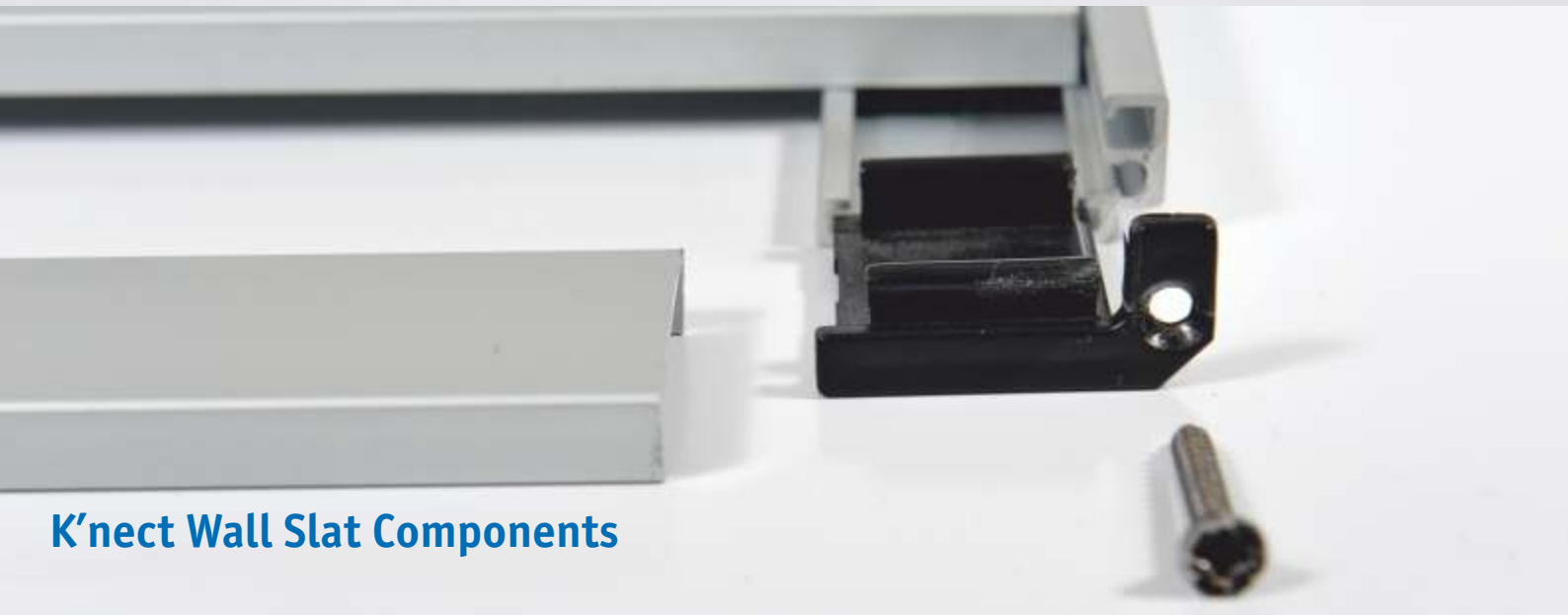
www.ashbytrade.net



K'nect Wall Connections



K'nect Wall Slat System (Multi Slat)



K'nect Wall Slat Components



K'nect Suspended



K'nect Suspended Connections



K'nect Projecting Components



K'nect Projecting Wall Bracket