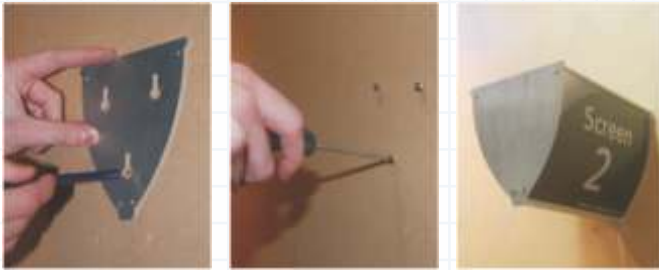
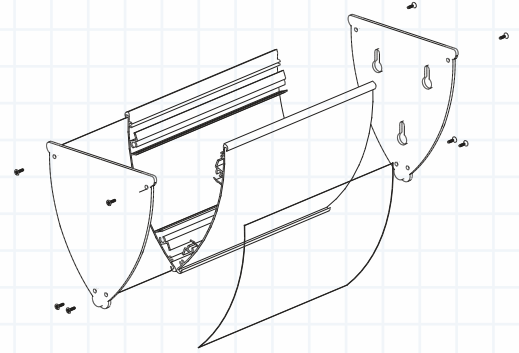


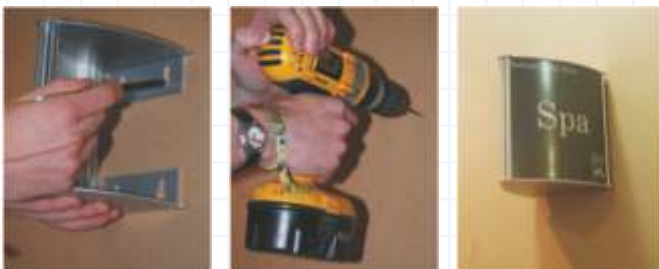
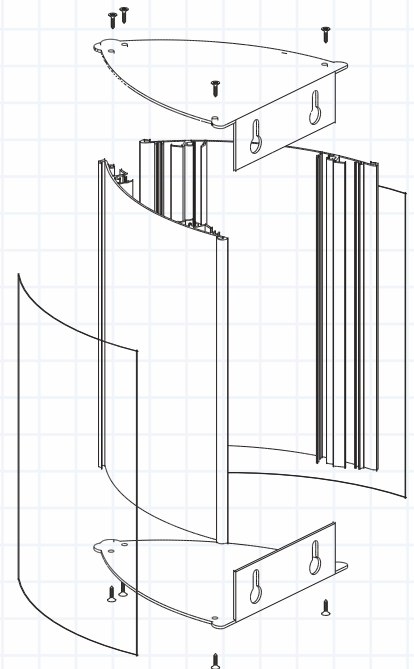
Projecting Horizontal

1. Un-assemble the Architech extrusion to one cap.
2. Place cap where sign is to be fixed to use as a template for fixing holes.
3. Mark hole positions, then drill pilot holes for self-tapping screws.
4. Screw in self tapping screws into pilot holes, remembering to leave a 3mm gap between the head of the screw and the wall.
5. Place assembled sign over the screws using the key-hole fixings.



Projecting Vertical

1. Un-assemble the Architech extrusion to one cap.
2. Place cap where sign is to be fixed to use as a template for fixing holes.
3. Mark hole positions, then drill pilot holes for self-tapping screws.
4. Screw in self tapping screws into pilot holes, remembering to leave a 3mm gap between the head of the screw and the wall.
5. Place assembled sign over the screws using the key-hole fixings.



DRAWN		TITLE <b>PROJECTING ARCHITECH</b>		
CHECKED				
QA				
MFG				
APPROVED				
		SIZE	Drawing Number: <b>A1</b>	REV
		SCALE		
			SHEET 13 OF 20	