

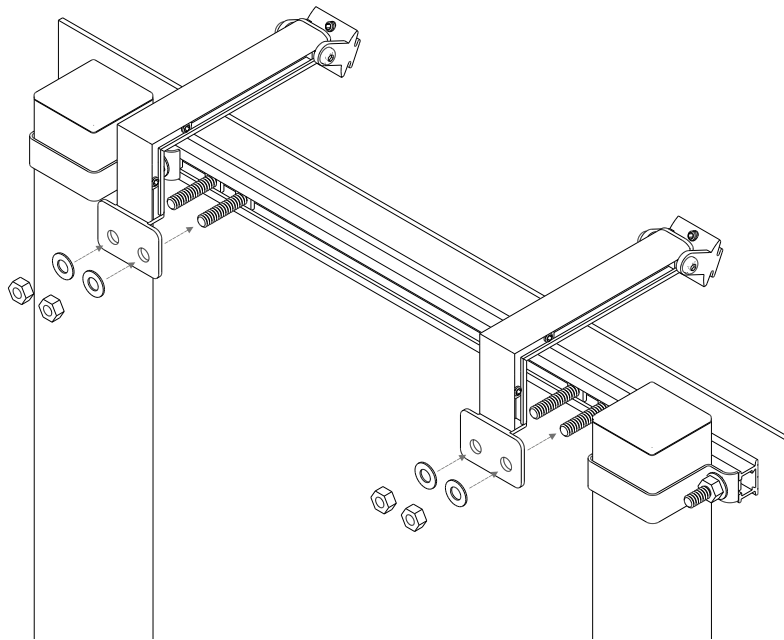
Tools Required



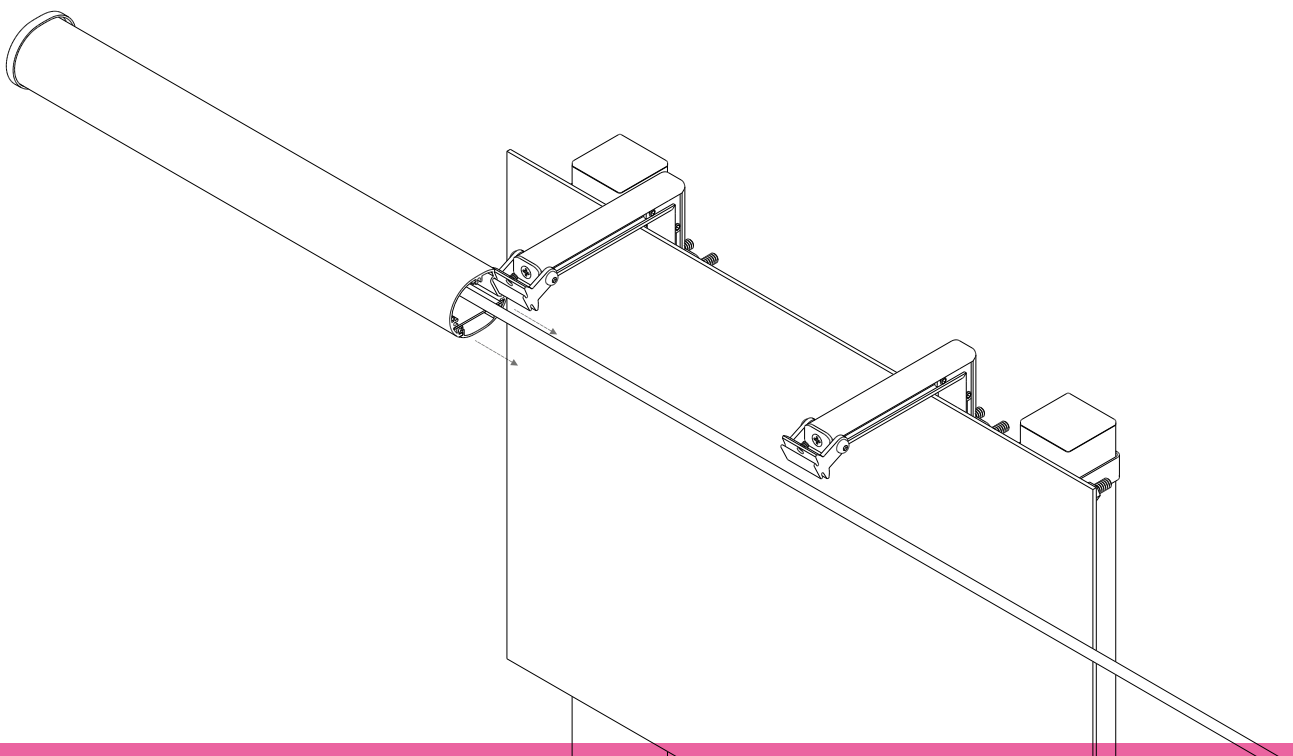
# STRYDER TROUGH LIGHT

## Channel Bracket Fitting Diagram

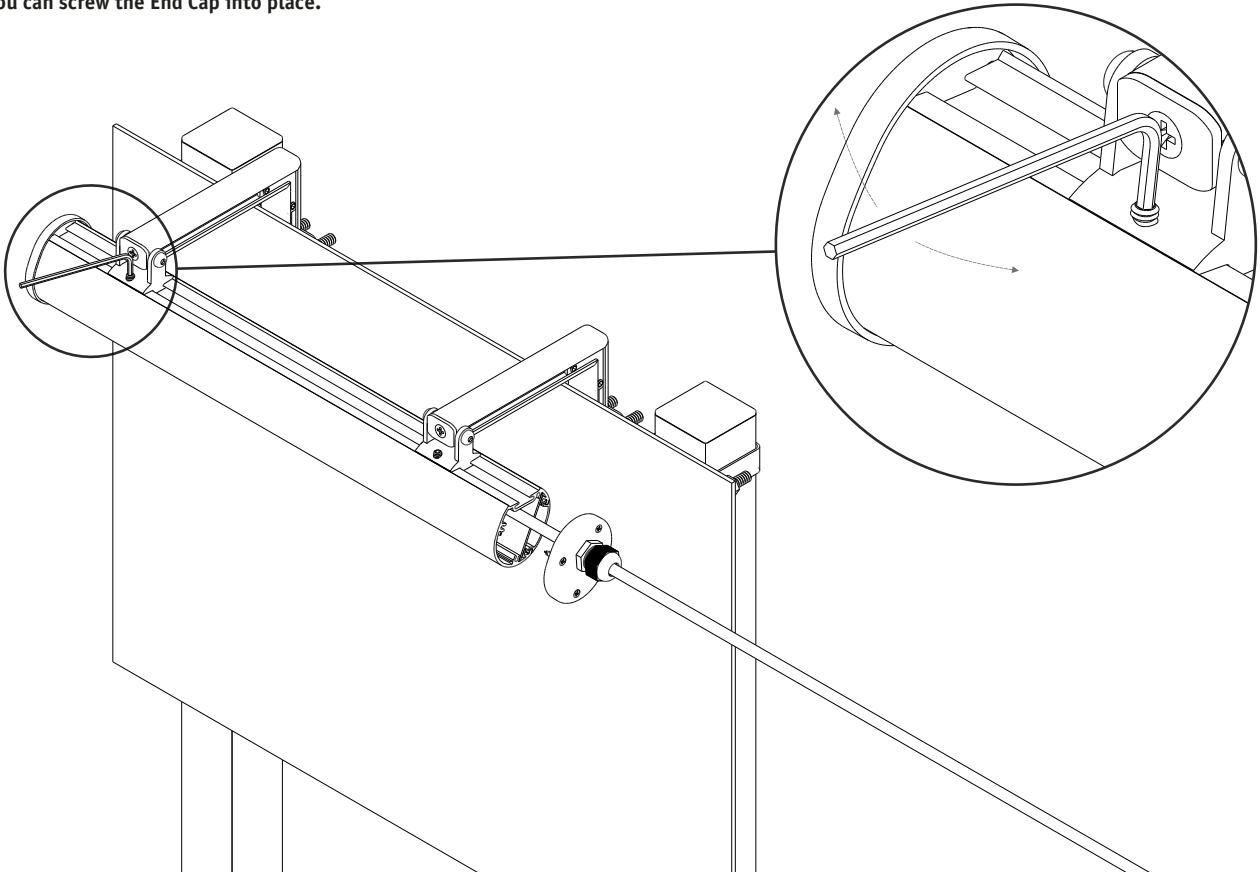
1. Fixing the Brackets to the Channel on the back of the panel in the desired position



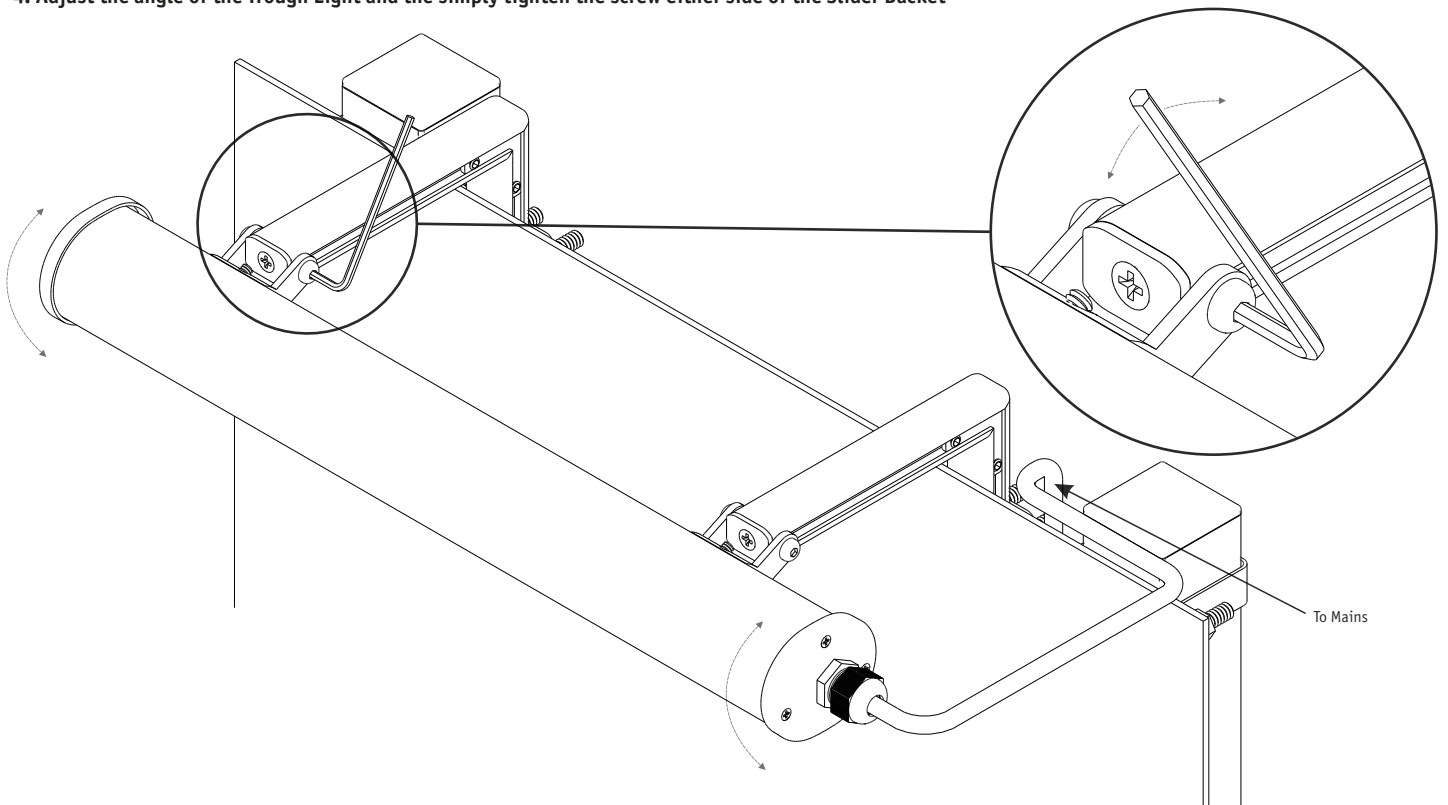
2. Slide the Main Stryder Trough Light Extrusion onto the Bracket



3. When Slid into position tighten the Grub Screw so the Trough Light doesn't slide around.  
Also you can screw the End Cap into place.



4. Adjust the angle of the Trough Light and the simply tighten the screw either side of the Slider Bracket



5. Get a qualified electrician to connect your 240V Cable to Mains

