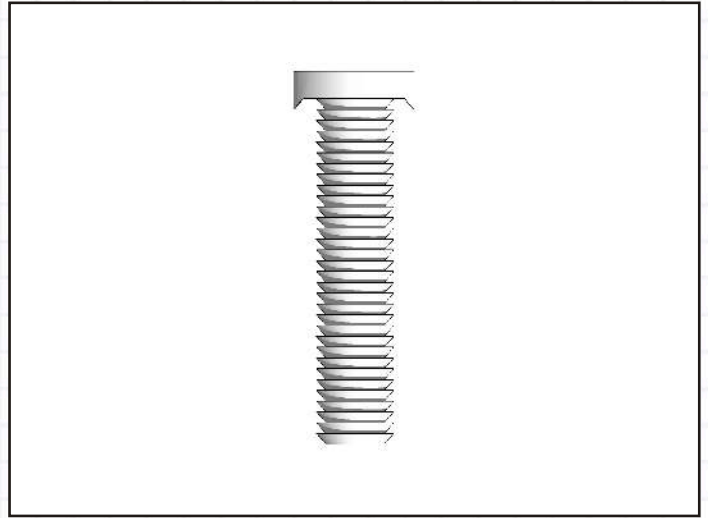
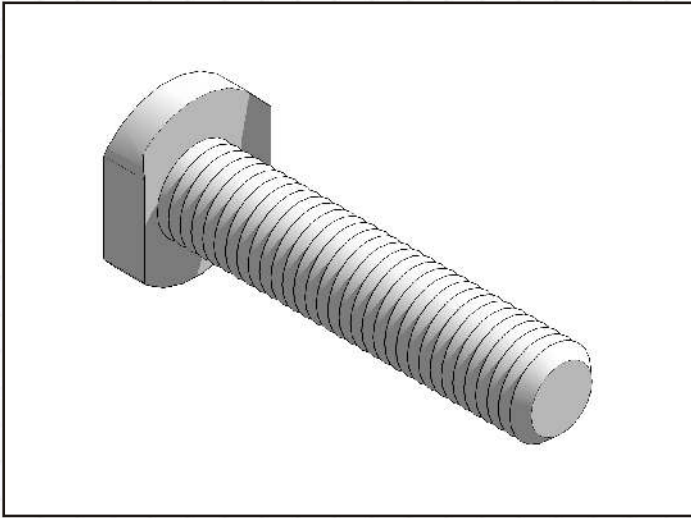
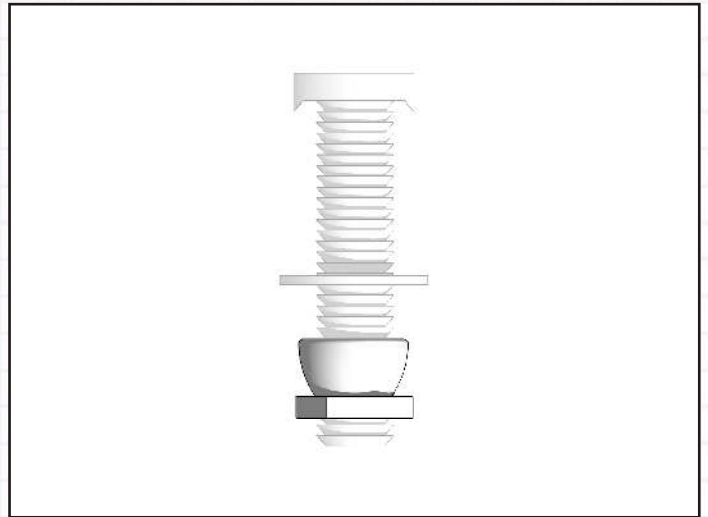
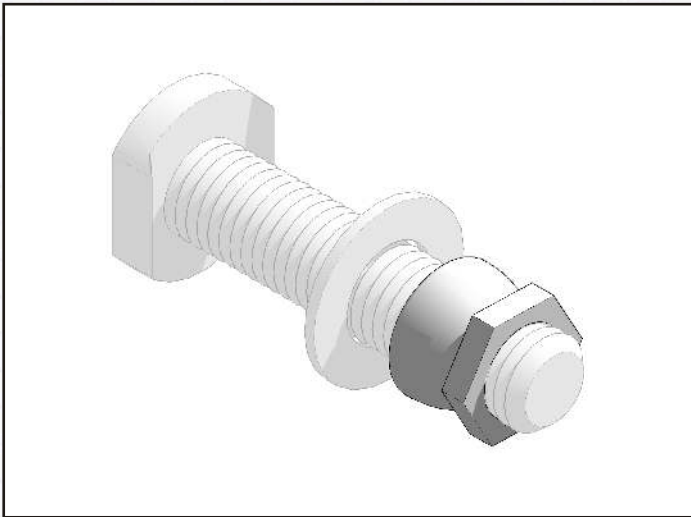


LIP-LOCK BOLTS



Specifically designed for use with clip extrusion, the lip-lock bolt will sit perfectly in the channel and ensure no movement in your clip fixings giving you an overall more secure and professional fitting.

ANTI-VANDAL NUT



Anti-vandal nuts are used instead of a normal nut on your clips, you would tighten them up until its tightest at which point the end will shear off meaning that the only way in which you could remove them would be with a cutting device such as a grinder or hack saw.

DRAWN		TITLE LIP-LOCK BOLTS & ANTI-VANDAL NUTS		
CHECKED				
QA				
MFG				
APPROVED				
		SIZE	Drawing Number: A1	REV
		SCALE		
			SHEET 10 OF 20	