

TRAYS

The simplest way to wall mount a tray is with angle, although sometimes existing wooden mountings can be used in the same format

Step 1 - Bolt the angle level to the wall or fascia, centrally at the top of the tray

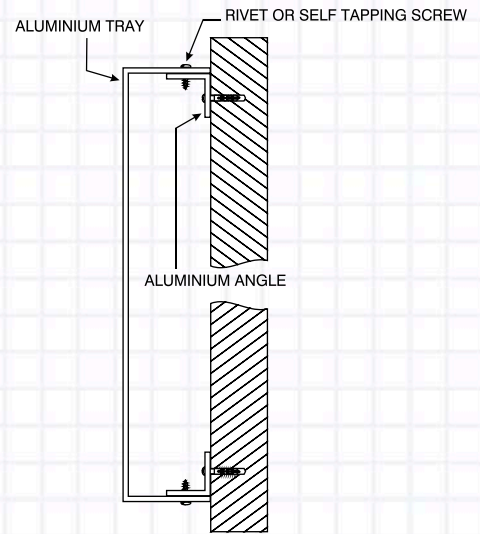
Step 2 - Repeat at the bottom of the tray, carefully measuring for correct size NB. These fixings are not supplied as there are too many variations

Step 3 - Hang the top return of the tray over the angle, flush to the wall surface, fitting over the bottom angle

Step 4 - Screw or rivet every 600mm straight through the aluminium return into the top angle

Step 5 - Repeat at the bottom of the tray

NB. Normally angle is supplied with a 25mm gap allowed at left and right edges
 Joints in the angle should not be flush with joints in any multiple tray pieces
 Angle should be ordered with a smaller return than the return of the tray



STAND-OFF CONNECTORS

Step 1 - Hold sign level against wall, then mark hole centres

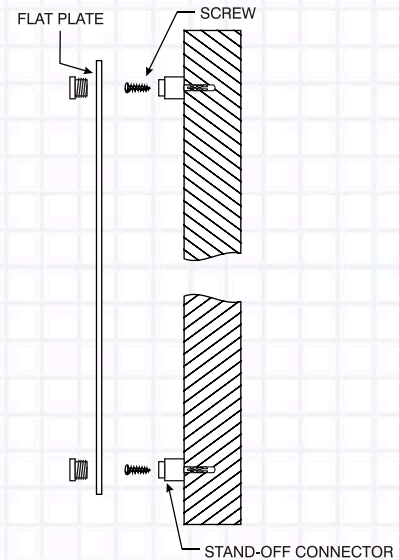
Step 2 - Drill holes to suit a number 8 countersunk screw

Step 3 - Screw through barrel of connector to secure in place with suitable wall supports

Step 4 - Hang sign through holes onto connector barrel

Step 5 - Screw connector front section through sign hole to secure tightly against bottom barrel (avoid over tightening and scratching sign)

NB. A 23mm hole should be punched or drilled through sign panel to suit stand off connectors supplied



MODULAR WALL INSTALLATION

Your wall mounted directory sign should be delivered to you fully assembled
 Only the end caps and side cover sections need to be removed for easy mounting

Step 1 - Unscrew end caps at top or bottom of each side cover

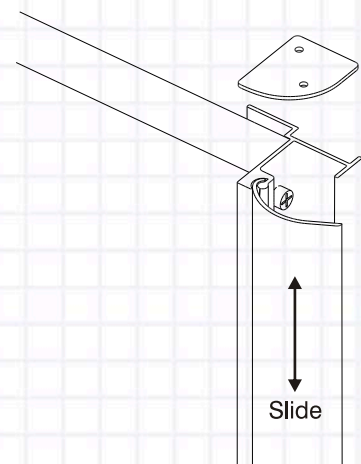
Step 2 - Slide cover up or down to fully remove

Step 3 - Mark on inside aluminium where mounting holes should sit
 This is left to fitter's discretion as surrounding conditions may dictate positions

Step 4 - Hold sign firmly in mounting position, ensuring it is level, and drill straight through aluminium into wall/ mounting surface

Step 5 - Screw into position using suitable fittings

Step 6 - Slide side covers back into place and screw in end caps



DRAWN		TITLE	
CHECKED		WALL MOUNTED FIXING GUIDES	
QA		SIZE	Drawing Number: A1
MFG		SCALE	REV
APPROVED		SHEET 14 OF 20	