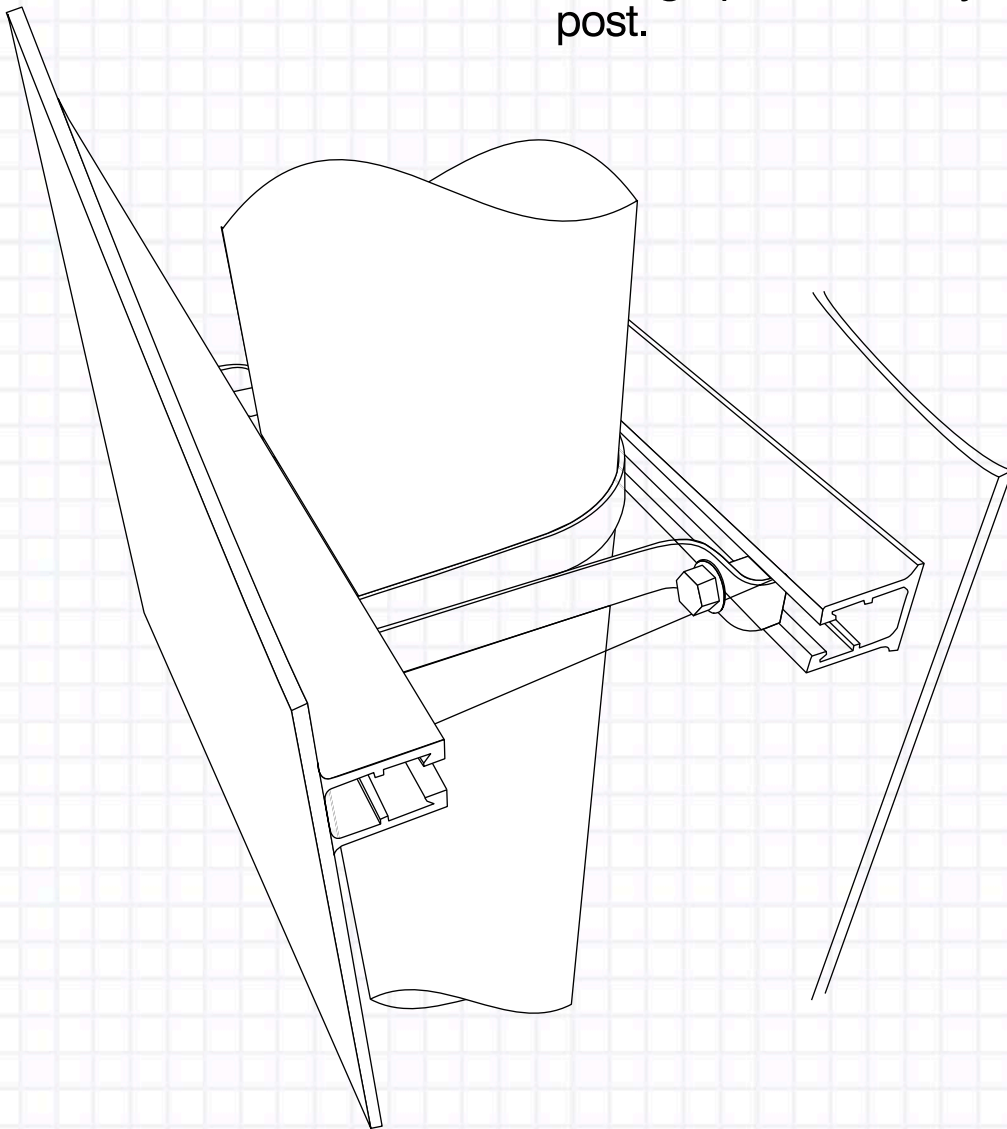


All clips are supplied with stainless steel nuts, bolts and washers, which slide into the rear of the clip extrusion. When the clip is positioned around the post and tightened the sign panel is firmly located against the post.



DRAWN		TITLE <b>BACK TO BACK FIXING</b>		
CHECKED				
QA				
MFG				
APPROVED				
		SIZE	Drawing Number: A1	REV
		SCALE		SHEET 4 OF 20